

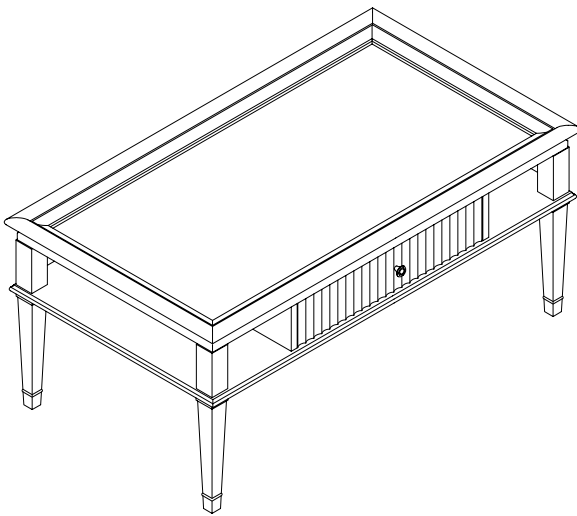
Lane

Assembly Instructions

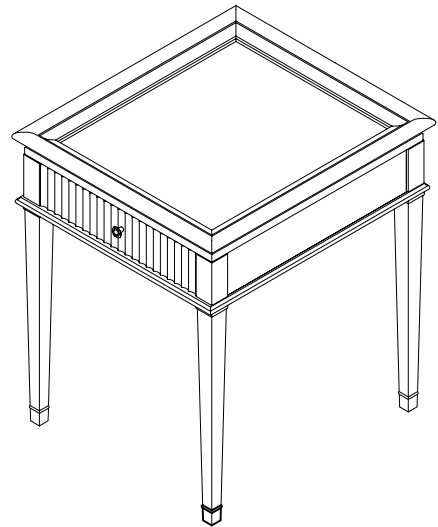
Model#: 11932-01-07

Thank you for purchasing this quality product. Be sure to check all packing materials carefully for small parts that may have come loose inside the carton during shipment.

***Caution: Please read all instructions carefully before starting the assembly process. These parts are cumbersome and heavy. Therefore, the assistance of one or more people is recommended in order to prevent personal injury and insure the parts are not damaged during the assembly process.



11932-01 Rectangle Cocktail Table



11932-07 End Table

1. Assemble the table on a flat, soft surface such as a carpet or cloth to prevent scratching the table finish.
2. Attach each leg to the table top assembly as shown in **Diagram 1**.

Diagram 1

