

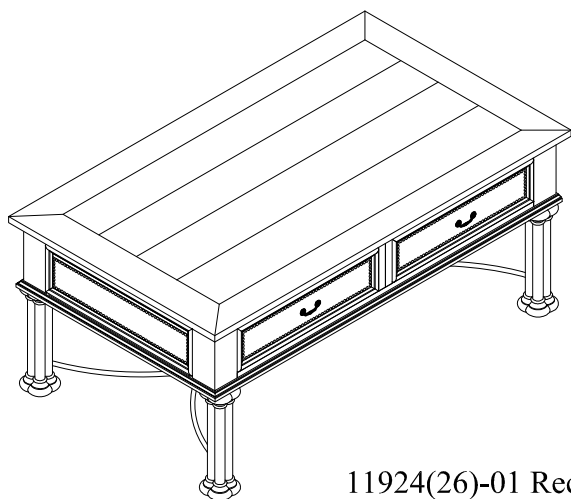
Lane

Assembly Instructions





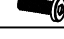


Model#: 11924(26)-01

Thank you for purchasing this quality product. Be sure to check all packing materials carefully for small parts that may have come loose inside the carton during shipment.

***Caution: Please read all instructions carefully before starting the assembly process. These parts are cumbersome and heavy. Therefore, the assistance of one or more people is recommended in order to prevent personal injury and insure the parts are not damaged during the assembly process.



11924(26)-01 Rect. Cocktail Table

No.		Hardware List	Q'ty
A		Bolt 5/16"Dia x 1-1/2"L	4
C		Flat Washer 5/16"Dia	4
D		Lock Washer 5/16 "Dia	4
E		Allen Wrench 5/16"Dia	1
F		Bolt 1/4"Dia x 3/4"L	4
G		Lock Washer 1/4 "Dia	4
H		Allen Wrench 1/4" Dia	1

1. Assemble the table on a flat, soft surface such as a carpet or cloth to prevent scratching the table finish.
2. First remove the drawers from the table top assembly. Turn the table top assembly upside down. See **Diagram 1**.
3. Attach two legs to the table top assembly following the label **R & L** on the top of post and the corner block on the table top accordingly. See **Diagram 2**.
4. Insert the stretcher to the two legs, then attach the other two legs to table top assembly and the stretcher following the label **R & L** on the top of post and the corner block on the table top accordingly, see **Diagram 2 & 3**.
5. Tighten all the bolts securely, but do not over tighten.
6. Turn the assembled table to an upright position.
7. Use the adjustable glides to level the table on the uneven floor surfaces see **Diagram 4**.

Diagram 1

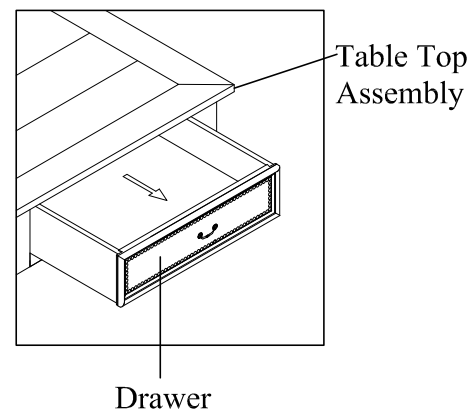


Diagram 2

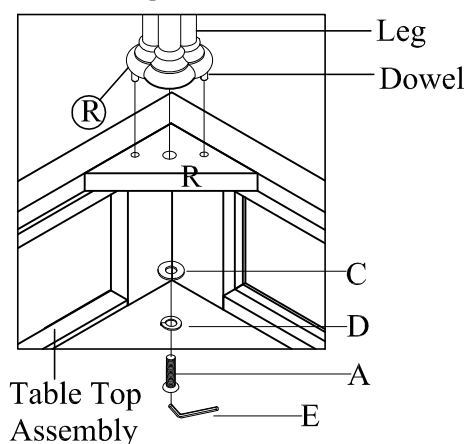


Diagram 3

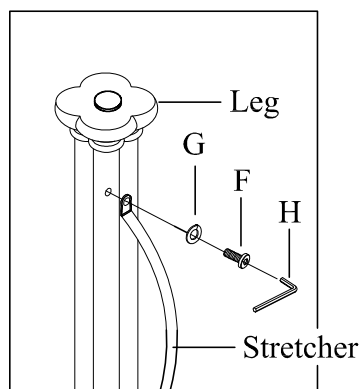


Diagram 4

