

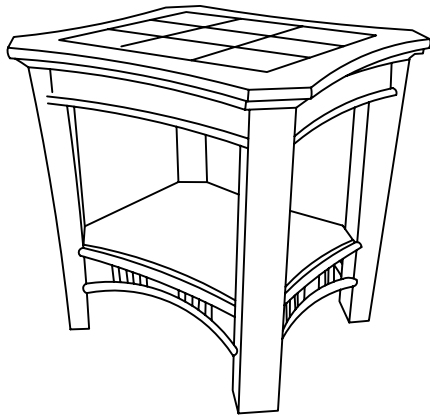
Lane

Assembly Instructions

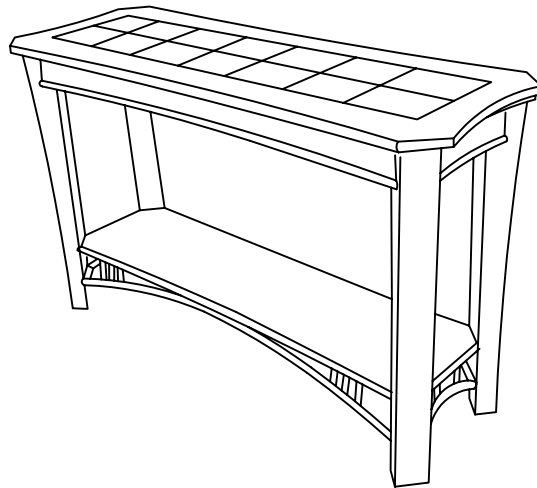
Model#: 11866-07-12

Thank you for purchasing this quality product. Be sure to check all packing materials carefully for small parts that may have come loose inside the carton during shipment.

***Caution: Please read all instructions carefully before starting the assembly process. These parts are cumbersome and heavy. Therefore, the assistance of one or more people is recommended in order to prevent personal injury and insure the parts are not damaged during the assembly process.



11866-07 End Table



11866-12 Sofa Table

Diagram 2

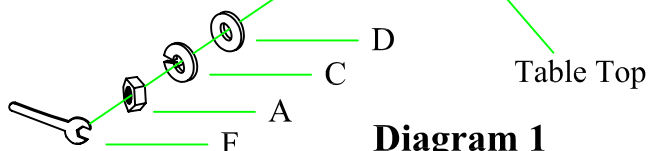
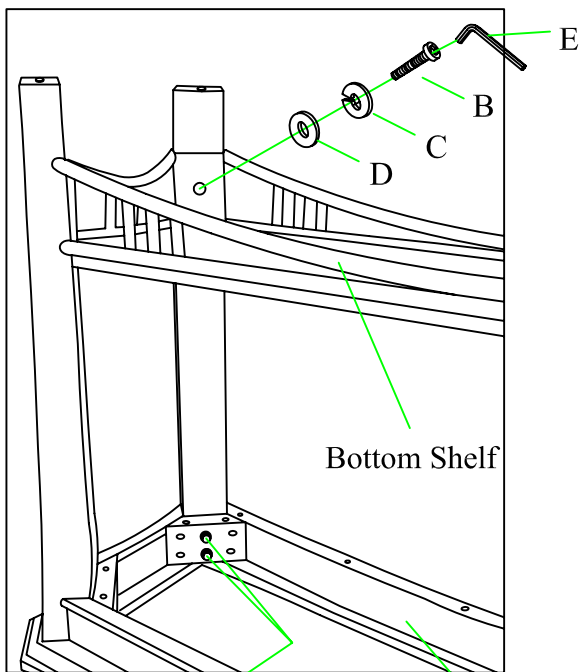








Diagram 1

1. Assemble the table on a flat, soft surface such as a carpet or a cloth to prevent scratching the table finish. Turn the table top upside down.
2. Loosely attach three legs to the table top as shown in **Diagram 1**.
3. Attach the bottom shelf to the legs as shown in **Diagram 2**.
4. Attach the last leg to the table top and the bottom shelf as shown in **Diagram 1 & 2**.
5. Tighten all the bolts securely.

Caution: Do not over tighten bolts.

No.	Hardware List	Q'ty
A	 Locking Washer 5/16"Dia	8
B	 Bolt 5/16"Dia * 1 "L	4
C	 Lock Washer 5/16"Dia	12
D	 Flat Washer 5/16"Dia	12
E	 Allen Wrench 5MM	1
F	 Spanner Wrench	1

Cleaning Instruction: Clean finished parts with a mild dishwashing liquid and water solution on a damp cloth. Polish the finish with soft cloth and an industry recognized furniture polish.