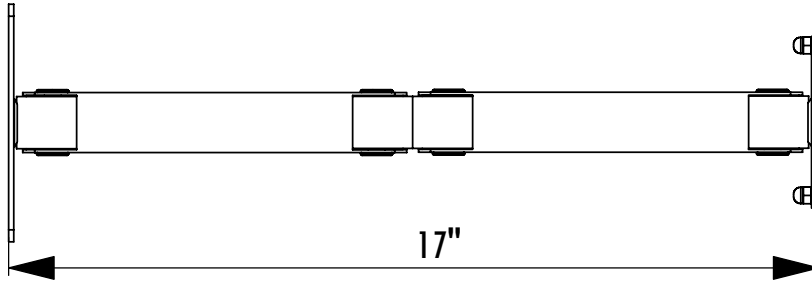
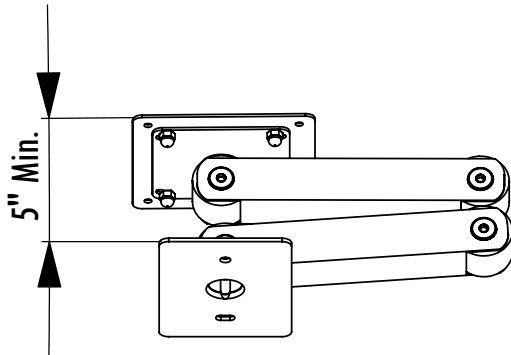
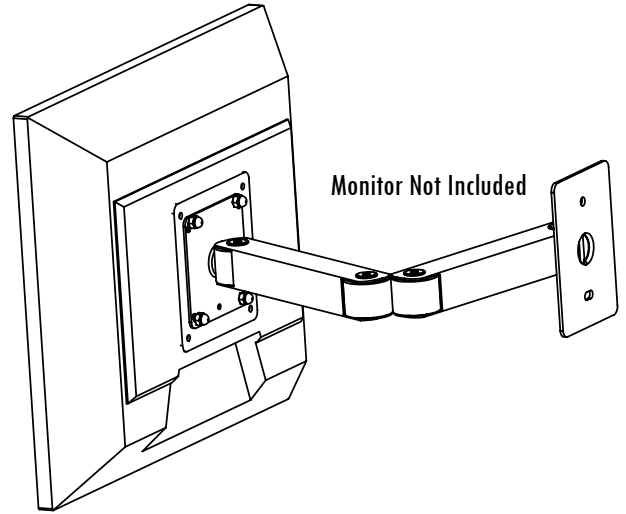


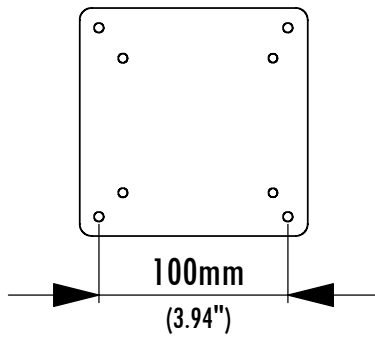
LCDUWDA2 Dimensions

Non-Tilting Dual Arm Articulating Wall Mount for Flat Panel Screens up to 19"

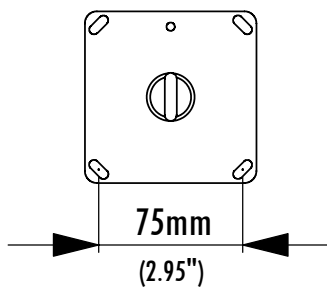
Model	Load Limit (lbs.)	Swivel	Tilt	Projection from Wall	Ship. Wt. (lbs.)
LCDUWDA2	20	180°	0	5"-17"	12



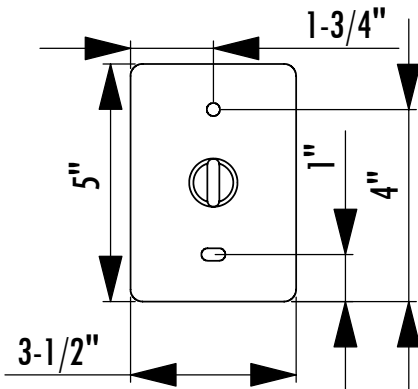
100mm VESA® Plate



75mm VESA® Plate



Wall Mount Plate



1-800-LUCASEY • 1-510-534-1435

©2005 Lucasey Manufacturing Corporation, Oakland, California

