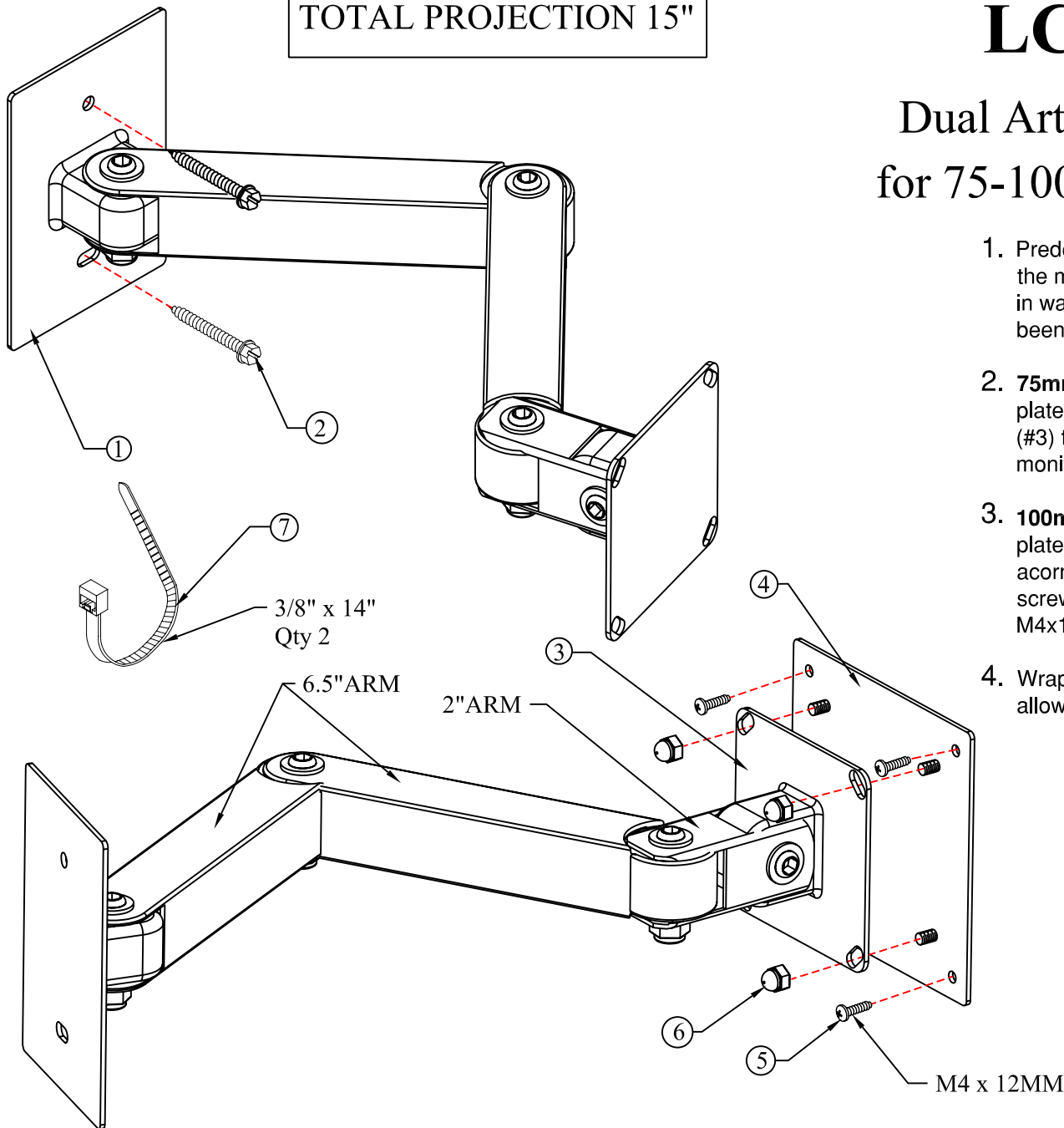


TOTAL PROJECTION 15"

# LCDUWDA1

## Dual Articulating Wall Mount for 75-100MM VESA<sup>®</sup> Patterns



1. Predetermine the best possible viewing location for the monitor and attach LCD wall plate (#1) to studs in wall with appropriate hardware. Lag screws have been provided for wood stud applications.
2. **75mm VESA<sup>®</sup> pattern Install:** Set aside 100mm plate (#4) and #10-24 acorn nuts (#6). Attach plate (#3) to LCD with screws appropriate for your monitor. M4x12MM x .7P have been provided (#5)
3. **100mm VESA<sup>®</sup> pattern install:** Attach 100mm plate (#4) to 75mm plate (#3) with four #10-24 acorn nuts. Attach 100mm plate (#4) to LCD with screws appropriate to your monitor. M4x12MM x.7P have been provided.
4. Wrap up any loose cords using tie straps (#7) allowing enough slack for full movement of arms.