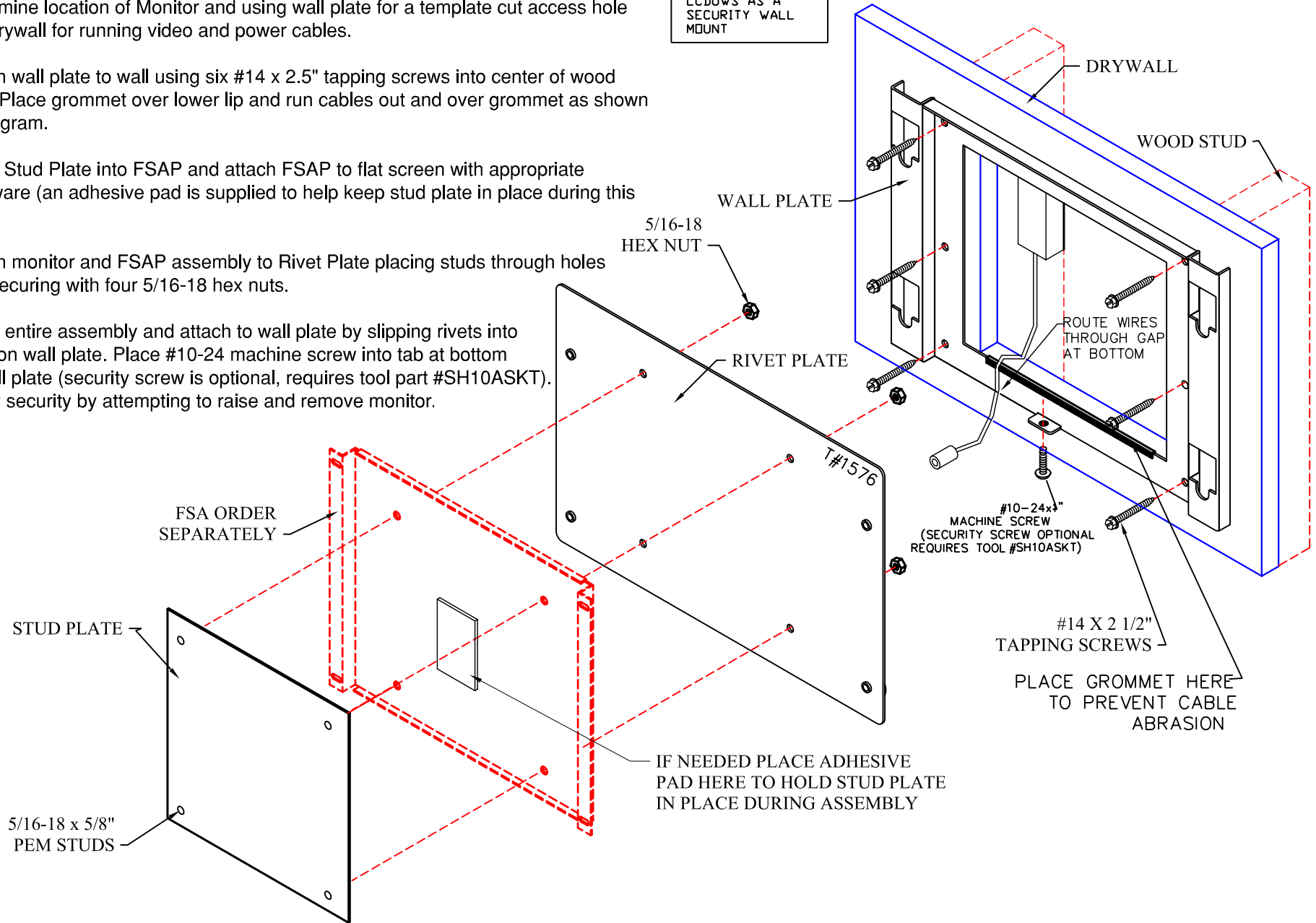
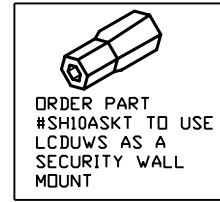


FSWSLO

0° TILT SECURITY WALL MOUNT For 30"-42" FLAT SCREENS

1. Determine location of Monitor and using wall plate for a template cut access hole into drywall for running video and power cables.
2. Attach wall plate to wall using six #14 x 2.5" tapping screws into center of wood stud. Place grommet over lower lip and run cables out and over grommet as shown in Diagram.
3. Place Stud Plate into FSAP and attach FSAP to flat screen with appropriate hardware (an adhesive pad is supplied to help keep stud plate in place during this step).
4. Attach monitor and FSAP assembly to Rivet Plate placing studs through holes and securing with four 5/16-18 hex nuts.
5. Raise entire assembly and attach to wall plate by slipping rivets into slots on wall plate. Place #10-24 machine screw into tab at bottom of wall plate (security screw is optional, requires tool part #SH10ASKT). Verify security by attempting to raise and remove monitor.



Protected under one or more of these U.S. Patent numbers: 3,291,432 3,559,942 3,724,798 DES.270,689 4,613,109 4,878,645 4,852,842 DES.309,562 4,973,023 5,169,114 5,255,884 5,310,152 5,522,576 5,621,614 Re.35,677 DES.398,834 5,826,384 5,941,492 5,964,068 6,060,661 6,102,398 6,158,704