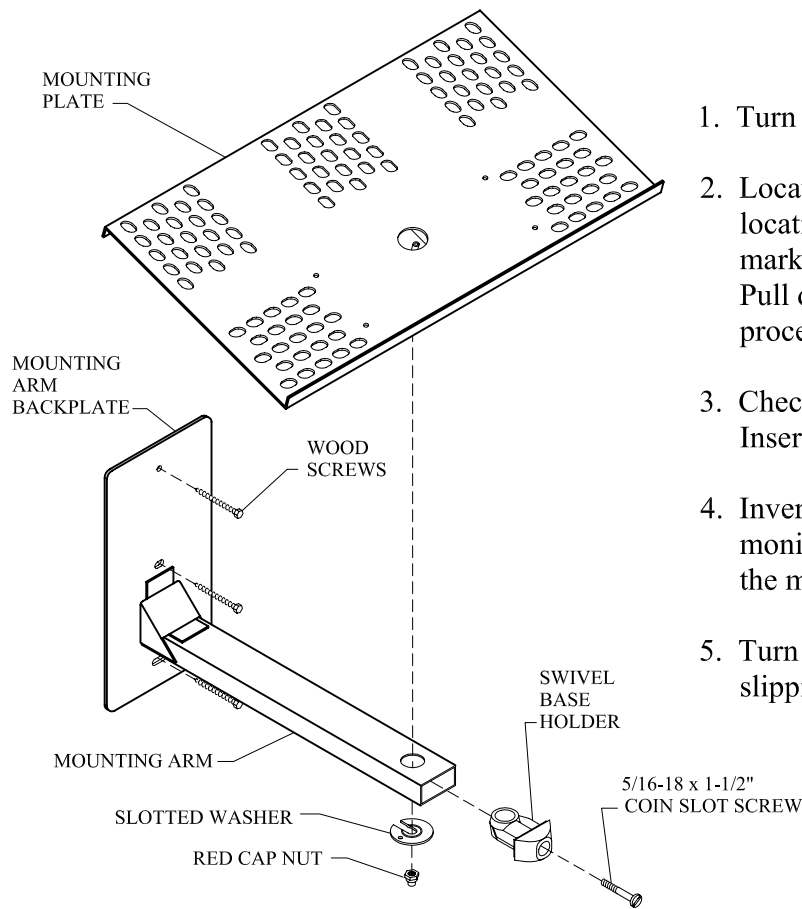


# 1700 Series Non-locking Wall Mounts



1. Turn mounting plate over and screw red cap nut onto threaded parts of taper.
2. Locate center of wood wall stud. Use backplate of mounting arm as template to mark location of holes. Drill 3/16" diameter pilot holes 2-1/2" deep into center of wall stud at marked locations. Attach mounting arm to wall stud with #14 x 2-1/2" wood screws. Pull down firmly, but not forcefully, on wall arm to verify secure attachment before proceeding with installation.
3. Check holes at top and bottom of swivel base holder. One hole is larger than the other. Insert swivel base holder into end of mounting arm with larger hole facing upward.
4. Invert monitor. Place inverted mounting plate on monitor with lip flush against front of monitor. Attach mounting plate to monitor with fasteners appropriate to the underside of the monitor.
5. Turn monitor right side up. Lift monitor, with mounting plate, onto mounting arm, slipping taper on bottom of mounting plate into hole at end of mounting arm.
6. Slip slotted washer beneath red cap nut on threaded end of taper. Firmly tighten cap nut with wrench.
7. Insert 5/16"-18 x 1-1/2" coin slot screw into end of swivel base holder. Tighten screw with coin.

