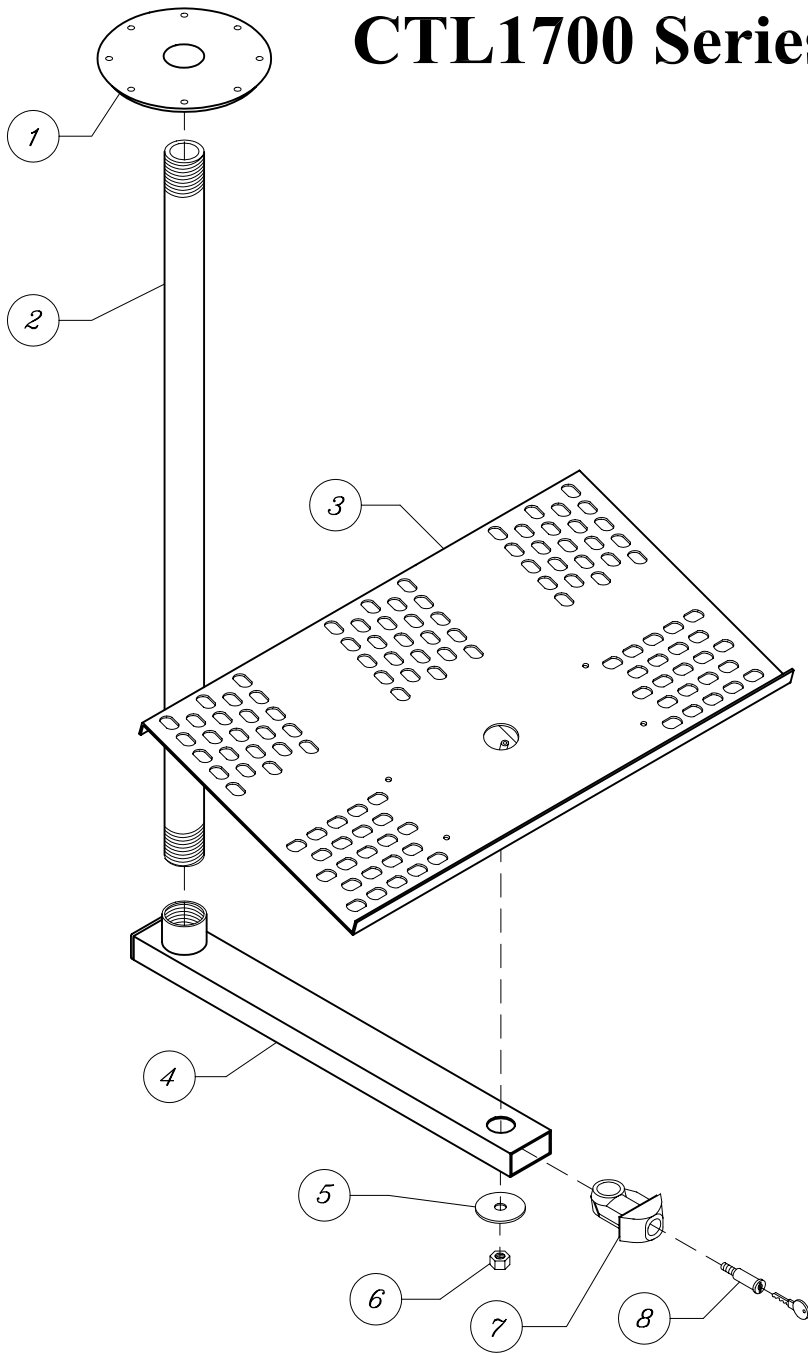


CTL1700 Series Ceiling Mounts



1. Apply thread locking agent to threaded ends of ceiling pipe (#2). Screw ceiling pipe into flange (#1) and mounting arm (#4) onto ceiling pipe.

2. Attach flange to ceiling using appropriate fasteners. (Use wood screws for installation into wood ceiling joists. Use concrete anchor bolts for installation into concrete ceilings; install anchor bolts as recommended by the anchor bolt manufacturer.)

3. Insert swivel base holder (#7) into end of mounting arm.

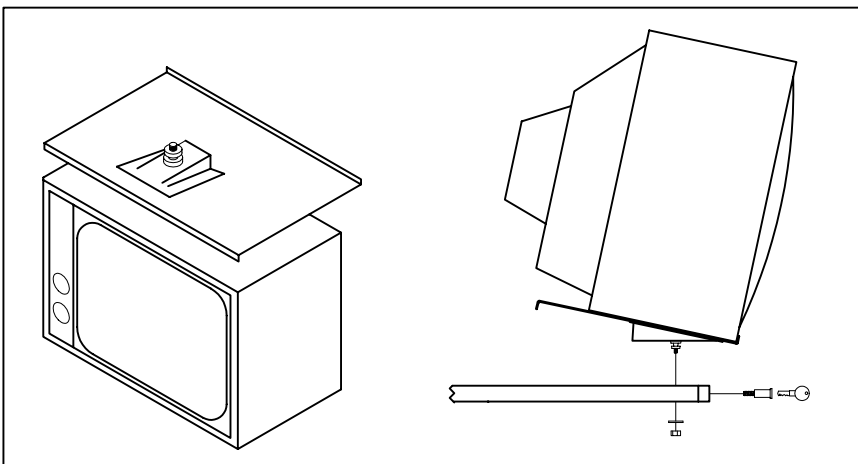
4. Invert monitor. Place inverted plate (#3) on monitor with lip flush against front of monitor. Attach monitor to plate with fasteners appropriate to the underside of the monitor.

5. Turn monitor right side up. Lift monitor and plate onto mounting arm, slipping taper on bottom of plate into hole at end of mounting arm.

6. Place washer (#5) over threaded end of taper protruding beneath mounting arm. Place and tighten nylon locknut (#6) on threaded end of taper.

7. If mount is locking type, insert key into lock (#8). Insert lock into end of swivel base holder (#7). Turn key clockwise to screw lock into swivel base holder. Remove key.

8. If mount is non-locking type, screw 5/16-18 x 1-1/2" round head bolt into swivel base holder.



Protected under one or more of these U.S. Patent numbers: 3,291,432 3,559,942 3,724,798 DES.270,689 4,613,109 4,878,645 4,852,842 DES.309,562 4,973,023 5,169,114 5,255,884 5,310,152 5,522,576 5,621,614 Re.35,677 DES.398,834 5,826,384 5,941,492 5,964,068 6,060,661 6,102,398