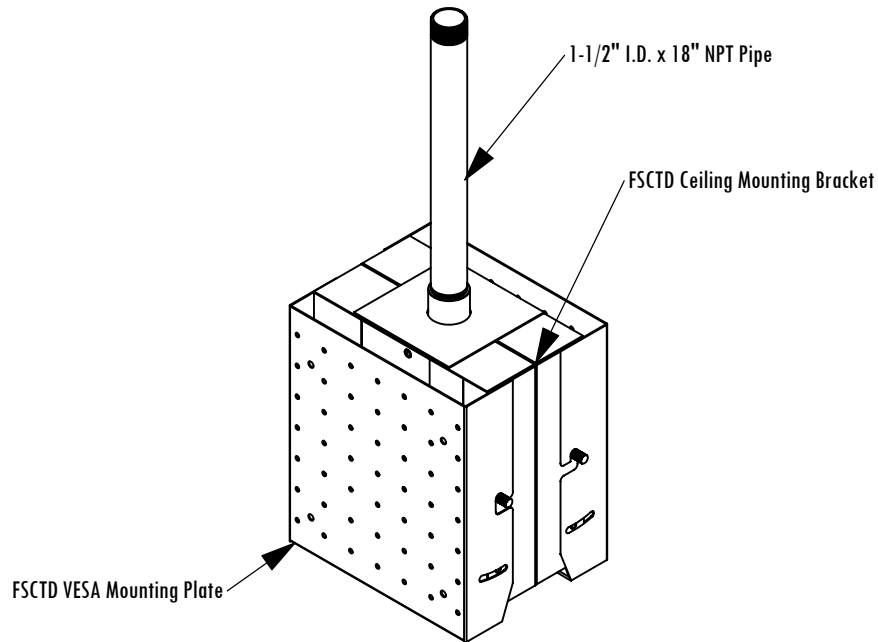




# FSCTD Flat Screen 0° - 15° Tilt Ceiling Mount

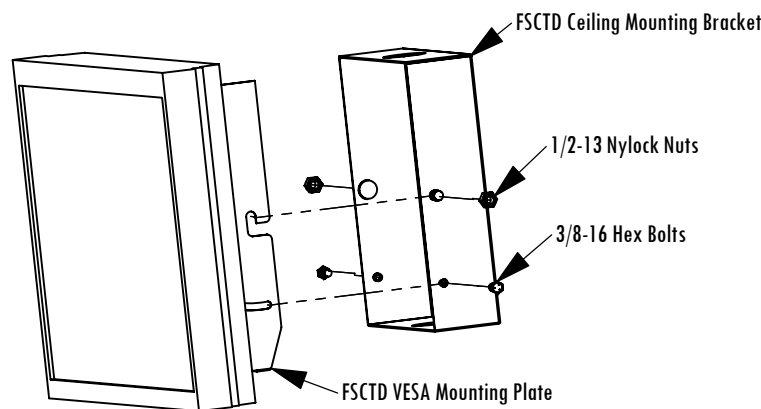


## Attaching Pipe to Ceiling Mounting Bracket

**Caution:** Ceiling attachment should be performed by qualified installers only, using construction methods prescribed by authorized architects or engineers that comply to all applicable codes and standards.

Ceiling mounting hardware and flanges are sold separately. Order the ACM3045F, 1-1/2" ID NPT square flange, for concrete and wood ceilings. Order the CMAUNSEFX, Unistrut sliding flange, for Unistrut installations. Order the CMACC150, 1-1/2" ID NPT Cathedral Ceiling Adaptor, for angled installations.

1. After installing the ceiling mount flanges and hardware necessary to bring the pipe down to the proper height for the installation, Screw the FSCTDCeiling Mounting Bracket onto the 1-1/2" I.D. x 18" NPT Pipe.



## Attaching Monitor to Ceiling Mounting Bracket

1. Raise the monitor with attached brackets to the FSCTD Ceiling Mounting Bracket and slip the slots of the FSCTD VESA Mounting Plate over the studs on the FSCTDCeiling Mounting Bracket. Check to make sure the FSCTD VESA Mounting Plate Slots are fully engaged and seated.
2. Adjust Tilt to the desired viewing angle.
3. Secure with the provided Nylock Nuts and Hex Bolts.