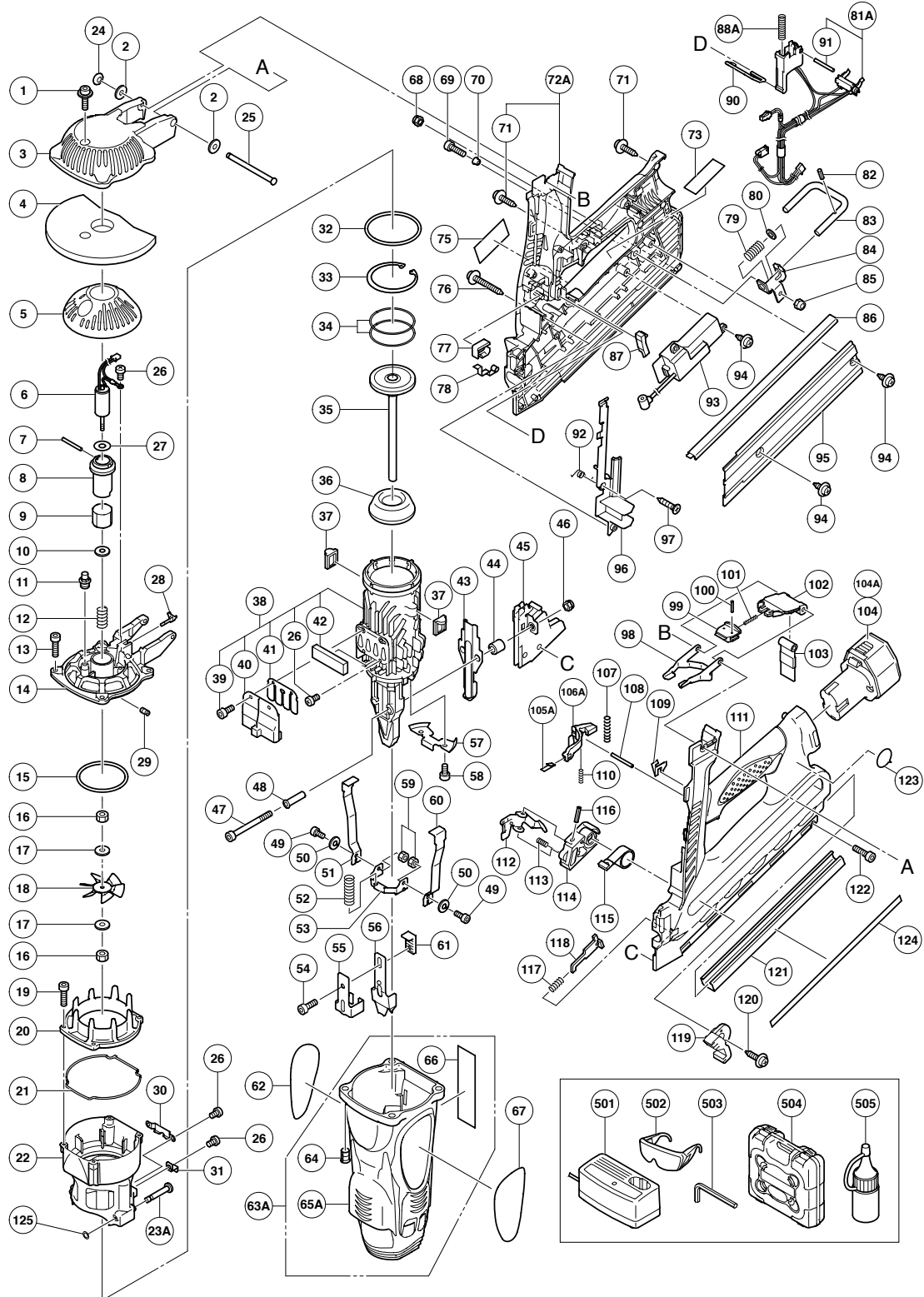


## GAS TOOL PARTS LIST

### ■ GAS STRIP NAILER Model NR 90GR

2006 · 9 · 15

(E2)



**PARTS**

NR 90GR

| ITEM NO. | CODE NO. | DESCRIPTION                           | NO. USED | REMARKS           |
|----------|----------|---------------------------------------|----------|-------------------|
| 1        | 996-399  | HEX. SOCKET HD. BOLT (W/FLANGE) M5X12 | 1        |                   |
| 2        | 949-424  | WASHER M5 (10 PCS.)                   | 2        |                   |
| 3        | 885-353  | TOP COVER                             | 1        |                   |
| 4        | 885-274  | FILTER                                | 1        |                   |
| 5        | 885-275  | FILTER COVER                          | 1        |                   |
| 6        | 885-309  | MOTOR                                 | 1        |                   |
| 7        | 885-318  | ROLL PIN D2.5X25                      | 1        |                   |
| 8        | 885-310  | MOTOR MOUNT                           | 1        |                   |
| 9        | 885-314  | MOUNT SLEEVE                          | 1        |                   |
| 10       | 885-320  | SHAFT WASHER                          | 1        |                   |
| 11       | 885-333  | SPARK PLUG (A)                        | 1        |                   |
| 12       | 885-319  | MOTOR SPRING                          | 1        |                   |
| 13       | 949-757  | HEX. SOCKET HD. BOLT M5X20 (10 PCS.)  | 4        |                   |
| 14       | 885-308  | CYLINDER HEAD                         | 1        |                   |
| 15       | 885-316  | O-RING (I.D 59.92)                    | 1        |                   |
| 16       | 949-554  | NUT M4 (10 PCS.)                      | 2        |                   |
| 17       | 949-423  | WASHER M4 (10 PCS.)                   | 2        |                   |
| 18       | 885-311  | FAN                                   | 1        |                   |
| 19       | 949-754  | HEX. SOCKET HD. BOLT M4X16 (10 PCS.)  | 4        |                   |
| 20       | 885-294  | CHAMBER HEAD                          | 1        |                   |
| 21       | 885-295  | GASKET (A)                            | 1        |                   |
| 22       | 885-296  | CHAMBER                               | 1        |                   |
| 23A      | 885-921  | PIN                                   | 2        |                   |
| 24       | 880-319  | SHAFT RING                            | 1        |                   |
| 25       | 885-277  | SHAFT                                 | 1        |                   |
| 26       | 949-214  | MACHINE SCREW M4X6 (10 PCS.)          | 6        |                   |
| 27       | 885-313  | RUBBER WASHER                         | 1        |                   |
| 28       | 885-317  | ADAPTER                               | 1        |                   |
| 29       | 961-681  | HEX. SOCKET SET SCREW M4X5            | 2        |                   |
| 30       | 885-297  | CHAMBER LOCK PLATE                    | 1        |                   |
| 31       | 885-306  | SWITCH PLATE                          | 1        |                   |
| 32       | 885-283  | O-RING (I.D. 66.27)                   | 1        |                   |
| 33       | 885-285  | RETAINING RING                        | 1        |                   |
| 34       | 885-286  | PISTON RING                           | 2        |                   |
| 35       | 885-619  | PISTON                                | 1        |                   |
| 36       | 885-289  | PISTON BUMPER                         | 1        |                   |
| * 37     | 885-790  | CHAMBER STOP RUBBER (A)               | 2        |                   |
| * 37     | 885-284  | CHAMBER STOP RUBBER                   | 2        | FOR USA, CAN      |
| 38       | 885-618  | CYLINDER ASS'Y                        | 1        | INCLUD. 26, 39-42 |
| 39       | 949-812  | HEX. SOCKET HD. BOLT M4X10 (10 PCS.)  | 3        |                   |
| 40       | 885-287  | BUFFER COVER                          | 1        |                   |
| 41       | 885-290  | LEAD VALVE                            | 1        |                   |
| 42       | 885-288  | MUFFLER                               | 1        |                   |
| 43       | 885-632  | BLADE GUIDE (A)                       | 1        |                   |
| 44       | 885-270  | PLATE SLEEVE                          | 2        |                   |
| 45       | 885-622  | SIDE PLATE (A)                        | 1        |                   |
| 46       | 945-255  | U-NUT M5                              | 2        |                   |
| 47       | 949-897  | HEX. SOCKET HD. BOLT M5X50 (10 PCS.)  | 2        |                   |
| 48       | 885-269  | NOSE SLEEVE                           | 2        |                   |
| 49       | 878-356  | SEAL LOCK HEX. SOCKET HD. BOLT M4X10  | 2        |                   |
| 50       | 949-453  | SPRING WASHER M4 (10 PCS.)            | 2        |                   |

**PARTS**

NR 90GR

| ITEM NO. | CODE NO. | DESCRIPTION                            | NO. USED | REMARKS       |
|----------|----------|--|----------|---------------|
| 51       | 885-789  | PUSHING LEVER ARM (B)                  | 1        |               |
| 52       | 885-305  | PUSHING LEVER SPRING                   | 2        |               |
| 53       | 885-301  | PUSHING LEVER CONNECTOR                | 1        |               |
| 54       | 949-819  | HEX. SOCKET HD. BOLT M5X10 (10 PCS.)   | 1        |               |
| 55       | 885-273  | PUSHING STOPPER                        | 1        |               |
| 56       | 885-271  | PUSHING LEVER                          | 1        |               |
| 57       | 885-625  | CYLINDER PLATE (A)                     | 1        |               |
| 58       | 980-046  | SEAL LOCK HEX. SOCKET HD. BOLT M5X10   | 2        |               |
| 59       | 956-329  | U-NUT M4                               | 2        |               |
| 60       | 885-787  | PUSHING LEVER ARM (A)                  | 1        |               |
| 61       | 885-272  | ADJUSTER BUSH (S)                      | 1        |               |
| 62       |          | NAME PLATE                             | 1        |               |
| 63A      | 885-823  | HOUSING ASS'Y                          | 1        | INCLUD. 64-66 |
| 64       | 885-304  | SCREW M5                               | 4        |               |
| 65A      | 885-822  | HOUSING                                | 1        |               |
| 66       | 885-307  | INSULATOR SHEET                        | 1        |               |
| 67       |          | HITACHI LABEL                          | 1        |               |
| 68       | 876-465  | NYLON NUT M4                           | 1        |               |
| 69       | 949-820  | HEX. SOCKET HD. BOLT M5X15 (10 PCS.)   | 1        |               |
| 70       | 878-164  | SLEEVE                                 | 1        |               |
| 71       | 302-086  | TAPPING SCREW (W/FLANGE) D4X20 (BLACK) | 5        |               |
| 72A      | 886-035  | HANDLE (D) ASS'Y                       | 1        | INCLUD. 71    |
| 73       |          | CAUTION LABEL                          | 1        |               |
| 75       |          | WARNING LABEL                          | 1        |               |
| 76       | 301-815  | TAPPING SCREW (W/FLANGE) D4X45         | 1        |               |
| 77       | 885-334  | SWITCH MOUNT                           | 1        |               |
| 78       | 885-347  | SWITCH ARM                             | 1        |               |
| 79       | 885-345  | SPRING D12                             | 1        |               |
| 80       | 956-161  | WASHER (B)                             | 1        |               |
| 81A      | 885-799  | TRIGGER INTERNAL WIRE (C) SET          | 1        | INCLUD. 91    |
| 82       | 949-900  | ROLL PIN D3X14 (10 PCS.)               | 1        |               |
| 83       | 885-343  | HOOK                                   | 1        |               |
| 84       | 885-344  | BRACKET                                | 1        |               |
| 85       | 877-371  | NYLON NUT M5                           | 1        |               |
| 86       | 885-629  | NAIL RAIL (A)                          | 1        |               |
| 87       | 885-628  | PRISM (A)                              | 1        |               |
| 88A      | 885-828  | TRIGGER SPRING (A)                     | 1        |               |
| 90       | 885-340  | CHAMBER LOCK BAR                       | 1        |               |
| 91       | 949-551  | ROLL PIN D2.5X10 (10 PCS.)             | 1        |               |
| 92       | 885-337  | LOCK BAR SPRING                        | 1        |               |
| * 93     | 885-331  | CONTROLLER                             | 1        |               |
| * 93     | 885-595  | CONTROLLER                             | 1        | FOR USA, CAN  |
| 94       | 309-933  | TAPPING SCREW (W/FLANGE) D4X14 (BLACK) | 3        |               |
| 95       | 885-630  | MAGAZINE PLATE (A)                     | 1        |               |
| 96       | 885-339  | WIRING COVER                           | 1        |               |
| 97       | 885-346  | FLAT HD. TAPPING SCREW D4              | 1        |               |
| 98       | 885-276  | CELL LEVER                             | 1        |               |
| 99       | 885-280  | LATCH                                  | 1        |               |
| 100      | 949-859  | ROLL PIN D2X8 (10 PCS.)                | 2        |               |
| 101      | 885-281  | SPRING D3.6                            | 1        |               |
| 102      | 885-352  | CELL COVER                             | 1        |               |

**PARTS**

NR 90GR

| ITEM NO. | CODE NO. | DESCRIPTION                            | NO. USED | REMARKS             |
|----------|----------|--|----------|---------------------|
| 103      | 885-279  | CELL RUBBER                            | 1        |                     |
| * 104    | 324-148  | BATTERY EB 714S (EUROPE, AUS, NZL)     | 2        |                     |
| * 104A   | 325-292  | BATTERY EB 714S (USA, CAN)             | 1        | FOR USA, CAN        |
| 105A     | 885-824  | TENSION PLATE (A)                      | 1        |                     |
| 106A     | 885-826  | SWITCH LEVER                           | 1        |                     |
| 107      | 885-518  | SPRING                                 | 2        |                     |
| 108      | 885-349  | PIN D2.5                               | 1        |                     |
| 109      | 885-329  | LEVER STOPPER                          | 1        |                     |
| 110      | 885-350  | SPRING D2.95                           | 1        |                     |
| 111      | 885-620  | HANDLE (C)                             | 1        |                     |
| 112      | 885-621  | NAIL FEEDER                            | 1        |                     |
| 113      | 883-687  | SPRING                                 | 1        |                     |
| 114      | 885-324  | NAIL FEEDER (B)                        | 1        |                     |
| 115      | 885-325  | RIBBON SPRING                          | 1        |                     |
| 116      | 949-506  | ROLL PIN D4X28 (10 PCS.)               | 1        |                     |
| 117      | 885-328  | SPRING D8                              | 1        |                     |
| 118      | 885-623  | PUSHING LEVER STOPPER (A)              | 1        |                     |
| 119      | 885-322  | FEEDER KNOB                            | 1        |                     |
| 120      | 302-089  | TAPPING SCREW (W/FLANGE) D5X20 (BLACK) | 1        |                     |
| 121      | 885-354  | MAGAZINE GUARD                         | 1        |                     |
| 122      | 880-003  | HEX. SOCKET HD. BOLT M4X18             | 1        |                     |
| 123      |          | ROUND HEAD MARK LABEL                  | 1        |                     |
| * 124    |          | LABEL (A)                              | 1        | EXCEPT FOR USA, CAN |
| 125      | 878-607  | PLUNGER O-RING                         | 2        |                     |
|          |          |  |          |                     |
|          |          |  |          |                     |
|          |          |  |          |                     |
|          |          |  |          |                     |
|          |          |  |          |                     |
|          |          |  |          |                     |
|          |          |  |          |                     |
|          |          |  |          |                     |

**STANDARD ACCESSORIES**

| ITEM NO. | CODE NO. | DESCRIPTION            | NO. USED | REMARKS    |
|----------|----------|------------------------|----------|------------|
| 501      |          | CHARGER (MODEL UC 7SD) | 1        |            |
| 502      | 875-769  | SAFETY GLASSES         | 1        |            |
| 503      | 944-458  | HEX. BAR WRENCH 4MM    | 1        |            |
| 504      | 885-633  | CASE                   | 1        |            |
| * 505    | 886-036  | LUBRICANT OILER (B)    | 1        | FOR EUROPE |
|          |          |                        |          |            |

**OPTIONAL ACCESSORIES**

| ITEM NO. | CODE NO. | DESCRIPTION                 | NO. USED | REMARKS      |
|----------|----------|-----------------------------|----------|--------------|
| * 601    | 885-246  | LUBRICANT OILER (A)         | 1        |              |
| * 601    | 885-546  | LUBRICANT OILER (A)         | 1        | FOR USA, CAN |
| 602      | 317-918  | GREASE (ATTOLUB NO. 2) 500G | 1        |              |
| 603      | 885-788  | RUBBER NOSE ASS'Y           | 1        | INCLUD. 604  |
| 604      | 885-791  | RUBBER NOSE                 | 1        |              |
|          |          |                             |          |              |