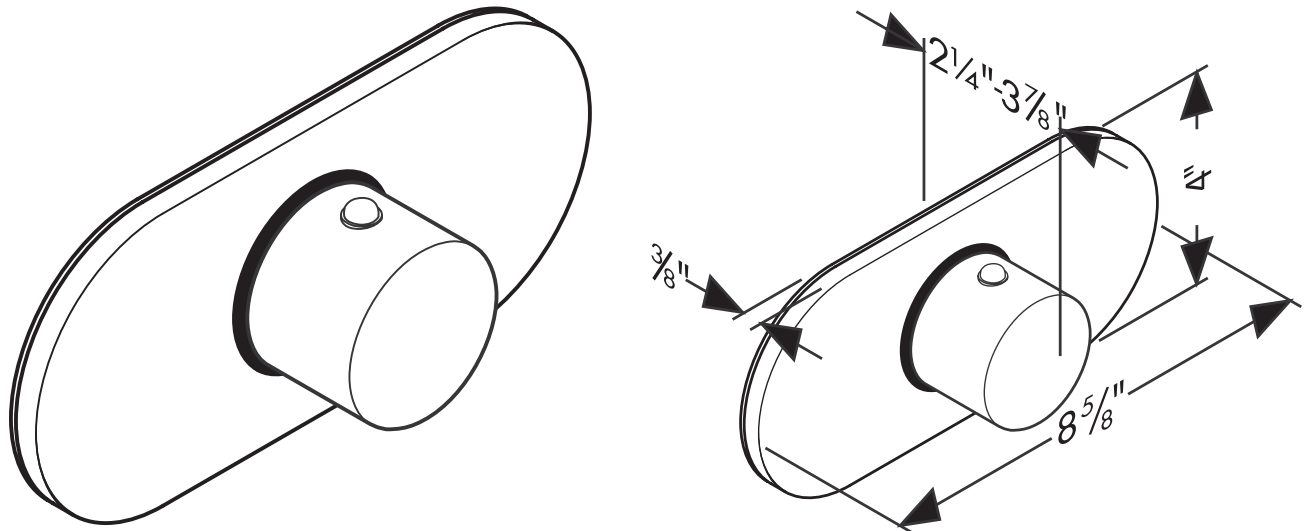


Axor Steel™ Universal Ecostat™ Trim Kit 35375801

Available in Steel



Product Specification

Requires Ecostat™ rough-in 15373181 (1/2") or 15374181 (3/4")

Includes thermoelement; incorporates paraffin thermostatic cartridge, check valves, isolation stops

100° safety stop

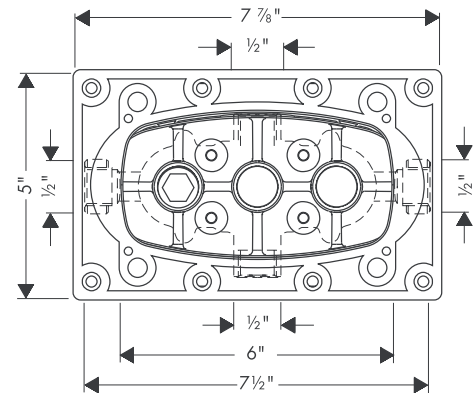
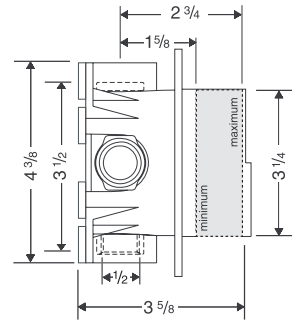
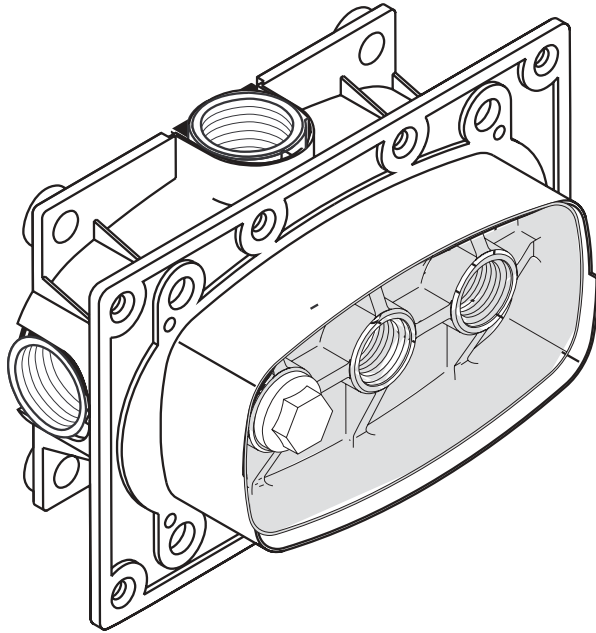
Flow rate at 45 psi - 13.8 gpm

Available accessory: 92615000 extension kit

Ecostat™ 1/2" Thermostatic Mixing Valve 15373181

Listed by UL and IAPMO

Complies with ANSI/ASME A112.18.1M-1996, ANSI/ASSE 1016-1996



Product Specification

Rough-in includes dummy flush insert

Thermo element included in trim kit – prevents loss or damage during construction

Use only Ecostat™ Universal trim kits.

THIS UNIT DOES NOT HAVE AN INTEGRAL SHUTOFF! SEPARATE VOLUME CONTROL / SHUTOFF VALVES ARE REQUIRED.
DO NOT USE THIS UNIT IN COMBINATION WITH A DIVERTER TUB SPOUT.

Recommended incoming water pressure	45 - 72 psi
Recommended incoming hot water temp.	120° F*
Nominal Capacity @ 45 PSI	13.8 gpm
Safety Stop	100° F

*SOME GOVERNING BODIES REQUIRE THAT THE WATER HEATER BE SET TO 120° F OR LESS. PLEASE KNOW AND FOLLOW ALL APPLICABLE LOCAL CODES WHEN SETTING THE TEMPERATURE ON THE WATER HEATER.

hansgrohe

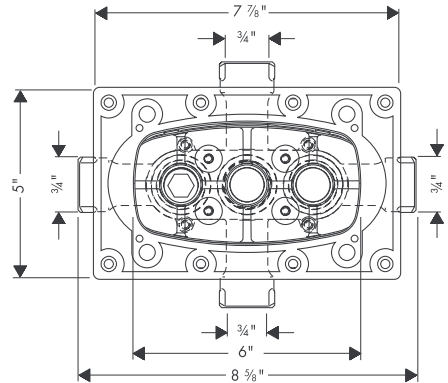
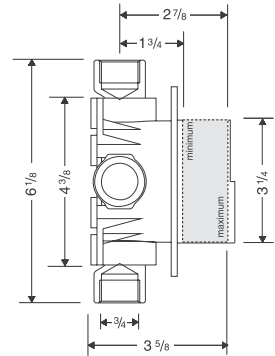
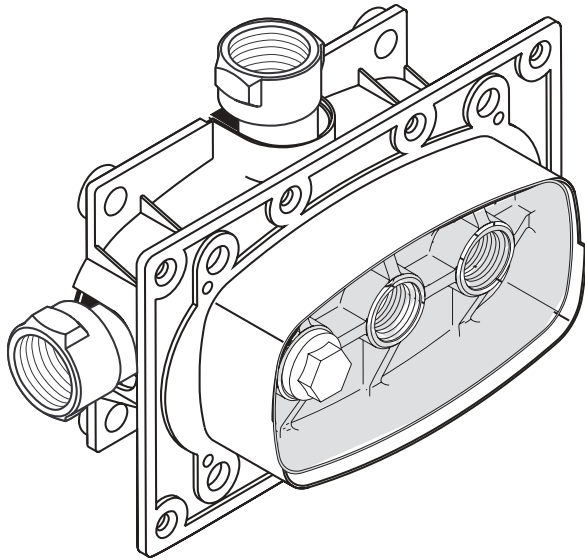
Ecostat™ 3/4" Thermostatic Mixing Valve 15374181

IAPMO Listed

UL Listed

Complies with ANSI/ASME A112.18.1M-1996, ANSI/ASSE 1016-1996

Approved by the State of Massachusetts



Product Specification

Rough-in includes dummy flush insert

Thermo element included in trim kit – prevents loss or damage during construction

For use with Ecostat™ Universal or EcoMax™ trim kits.

THIS UNIT DOES NOT HAVE AN INTEGRAL SHUTOFF! SEPARATE VOLUME CONTROL / SHUTOFF VALVES ARE REQUIRED.
DO NOT USE THIS UNIT IN COMBINATION WITH A DIVERTER TUB SPOUT.

Recommended incoming water pressure	45 - 72 psi
Recommended incoming hot water temp.	120° F*
Nominal Capacity @ 45 PSI	13.2 gpm or 20 gpm**
Safety Stop	100° F

*SOME GOVERNING BODIES REQUIRE THAT THE WATER HEATER BE SET TO 120° F OR LESS. PLEASE KNOW AND FOLLOW ALL APPLICABLE LOCAL CODES WHEN SETTING THE TEMPERATURE ON THE WATER HEATER.

**THE ACTUAL FLOW RATE DEPENDS ON THE CARTRIDGE ASSEMBLY, WHICH IS INCLUDED WITH THE TRIM KIT.