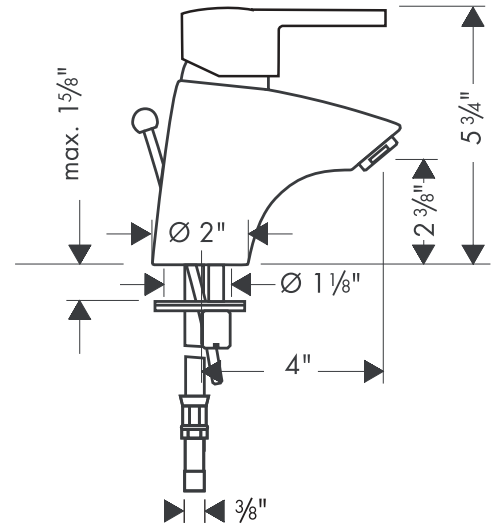


Interaktiv S Single Hole Lavatory Faucet 06872002

Available in Chrome (00)



Product Specification

Single hole mounting
Solid brass construction
ADA compliant
M3 ceramic cartridge

Recommended water pressure	22-72 psi
Recommended incoming hot water temp	120° - 140° F*
Hole size in mounting surface	1 1/4"
Maximum mounting surface thickness	1 5/8"
Flow rate	2.2 gpm max
3/8" compression fittings required for installation (not included)	
Includes pop-up drain	

* some municipalities have codes limiting the maximum temperature of the water heater to 120° F or less. Please know and follow all applicable local codes when setting the temperature on your water heater.