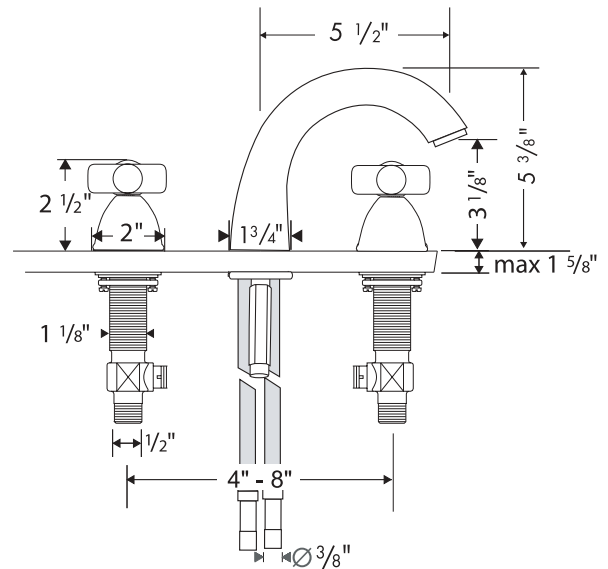


Interaktiv S Variable Spread Lavatory Faucet 06874000

Available in Chrome (00)



Product Specification

Solid brass construction
ADA compliant
Ceramic cartridge operation

| | |
|--|---------------|
| Recommended incoming water pressure | 22 - 72 PSI |
| Recommended incoming hot water temperature | 120° - 140°F* |
| Hole size in mounting surface | |
| Valves | 1 1/4" |
| spout | 1 3/8" |
| Maximum mounting surface thickness | 1 1/2" |
| Flow rate | 2.2 gpm max. |
| Requires 1/2" supply lines and nuts (not included) | |
| Includes pop-up drain | |

*some municipalities have codes limiting the maximum temperature of the water heater to 120° F or less. Please know and follow all applicable local codes when setting the temperature on your water heater.