

MODEL: FC01
STEEL FOLDING CHAIR

CHAIR SPECIFICATIONS:

MAX. WIDTH.....18-1/2
MAX. DEPTH.....19-5/8
MAX. HEIGHT.....29-1/4

SEAT SIZE:

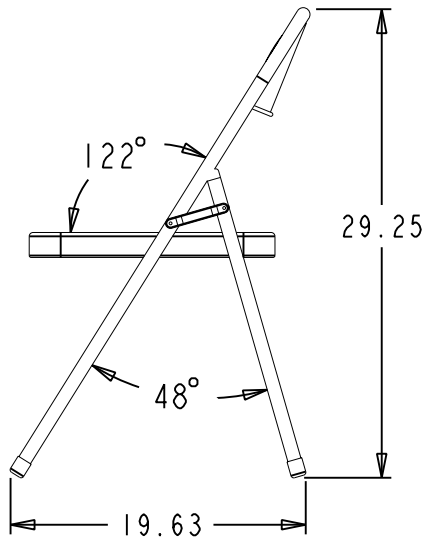
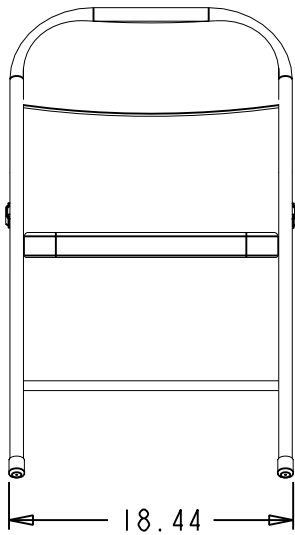
WIDTH.....16-3/4
DEPTH.....16-1/4
USABLE DEPTH.....16
HEIGHT FROM FLOOR..17

BACK SIZE:

WIDTH.....16-1/2
HEIGHT.....7
HEIGHT FROM SEAT...12-1/4
LUMBAR FROM SEAT... ---

FOLDED CHAIR:

STACK THICKNESS.....2"/Chair



CONSTRUCTION:

- Glide/Leg Cap..... Polyethylene
- Frame..... Monochromatic 7/8" OD steel tube, 0.040 steel.
Dual welded crossbraces, reinforcing pivot brackets
Contour curved back plate.
- Seat..... 0.9mm (20 ga.) steel plate (RB 40-50)
- Back..... 0.6mm (24 ga.) steel plate (RB 40-50)
- Chair Weight..... 8.5 pounds per chair.
- Shipping Weight..... 38.0 pounds (4 pack).
- Shipped..... Completely assembled, individually bagged, (4) per carton.
- Shipping Size..... 38-1/8" X 8-1/8" X 18-7/8" (3.38 cubic feet)
- Flammability Rating..... Furnished upon request by The HON Company Customer Service. Model FC01 meets the State of California Department of Consumer Affairs Technical Bulletin 117 requirements.

Issue Date..... 8/01/02
Part Number..... 53-9131A