

MODEL: 7823

Mid-Back Managerial Task,
Swivel Tilt, Tilt Lock, Pneumatic,
Posture Back, Height Adjustable
Post Arm

CHAIR SPECIFICATIONS

Max. Width..... 26-7/8
Max. Depth..... 35-1/2
Max. Height..... 43-1/2

Seat Size

Width..... 21-1/2
Depth..... 18
Usable Depth..... 16-1/2
Height from Floor..... 16-1/2 - 22

Back Size

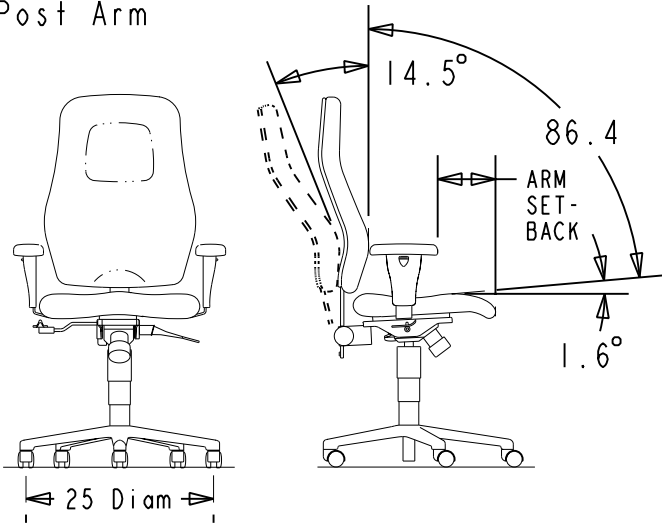
Width..... 19-3/4
Height..... 21
Height from Seat..... 21-7/8 - 23-1/4

Back Lumbar

Height..... 7-1/2 - 9-1/4

Arm Size

Distance between arms.... 18-1/2 - 22-1/4
Height from floor..... 24-1/2 - 29-1/2
Height from seat..... 8 - 10-1/2
Width..... 3-3/4



CONSTRUCTION

- Caster..... 2" diameter hooded dual wheel.
- Optional Caster..... See Dealer Net Pricer.
- Base..... 5 leg black base arms are 16 gauge formed steel with base cap.
- Control..... Black heavy gauge steel, swivel tilt, tilt lock, separate lever for infinite angle back adjustment, 17-4 taper.
- Seat..... 5/8" thick, composite wood product, 2-1/2" thick molded urethane foam cushion.
- Back..... 1/2" thick, 5-ply curved plywood, 3" thick urethane foam cushion.
- Arm..... Steel with plastic shell, built in height adjustment and urethane arm pad. Each arm is independently height/width adjustable.
- Upholstery..... See Dealer Net Pricer. Customer own material (COM) required yardage per SKU = 3.0 yards. Vinyl and Leather not available.
- Chair Weight..... 43 pounds.
- Shipping Weight..... 55 pounds.
- Shipped..... Completely assembled.
- Shipping Size..... 27-3/4" wide x 27-1/4" deep x 37-3/8" high (16.4 cubic feet).
- Flammability Rating..... Furnished upon request by the HON Company Customer Service.
- Special Features..... A pneumatic gas cylinder is used for seating height adjustment of chair. The back height is adjustable.
- Note..... All measurements are per BIFMA/CMD procedures.

Issue Date: 08-26-03

Part Number: 53-9229B