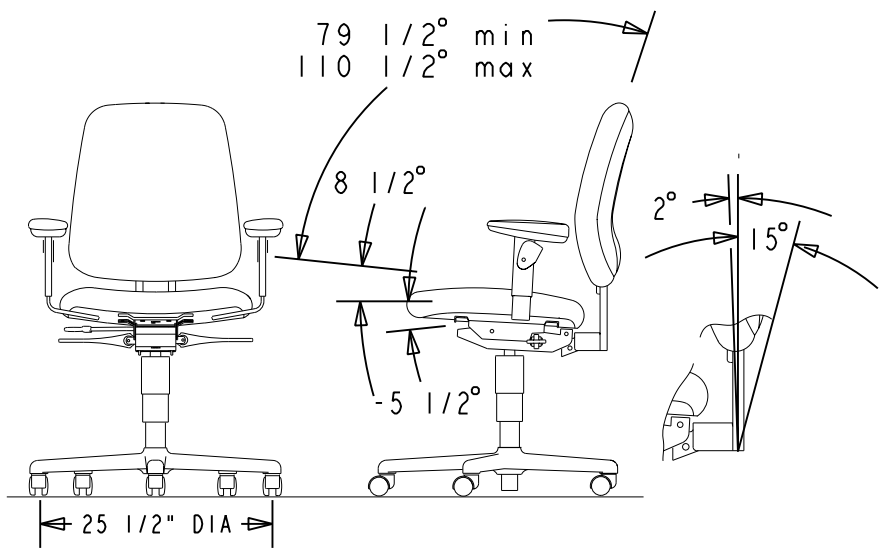


**MODEL: 7734 24 Hour Multi Task, Pneumatic
with Height Adjustable Arms**



CHAIR SPECIFICATIONS

Max. Width.....	27 3/8
Max. Depth.....	34
Max. Height.....	42

SEAT SIZE

Width.....	20
Depth.....	18
Usable Depth.....	15 - 18
Height from Floor....	17 - 22

BACK SIZE

Width.....	18
Height.....	18-1/2
Height from Seat....	19 - 21-1/2

ARM SIZE

Distance Between Arms	18 - 20
Height from Floor....	24 - 31
Height from Seat....	7 - 9
Width.....	3 5/8

CONSTRUCTION

- Caster..... Monochromatic hooded 2" diameter dual wheel.
- Optional Caster..... See Dealer Net Pricer
- Base..... 5 leg black powder coated. Base is cast aluminium
- Control..... Black heavy gauge steel, Multi-Task, 17-4 taper
- Seat..... 5/8" thick 5-ply plywood, 3-1/2" thick molded urethane foam cushion.
- Back..... Compound-curved shaped blow-molded plastic, 1 1/2" thick urethane foam cushion.
- Arm..... Monochromatic steel and arm pad. Each arm is independently adjustable for height in 1/4" increments over 2" range.
- Upholstery..... See Dealer Net Pricer
- Chair Weight..... 45 pounds.
- Shipping Weight..... 56 pounds.
- Shipped..... Completely assembled.
- Shipping Size..... 29-5/8" wide x 27-1/2" deep x 35-3/4" high (16.8 cubic feet).
- Flammability Rating..... Furnished upon request by THE HON COMPANY CUSTOMER SERVICE .
- Special Features.... A pneumatic gas cylinder is used for seat height adjustment of chair.
- Note..... All measurements are per ANSI/BIFMA procedures.

Issue Date: 2-24-99
Part Number: 53-8556
Revision: A