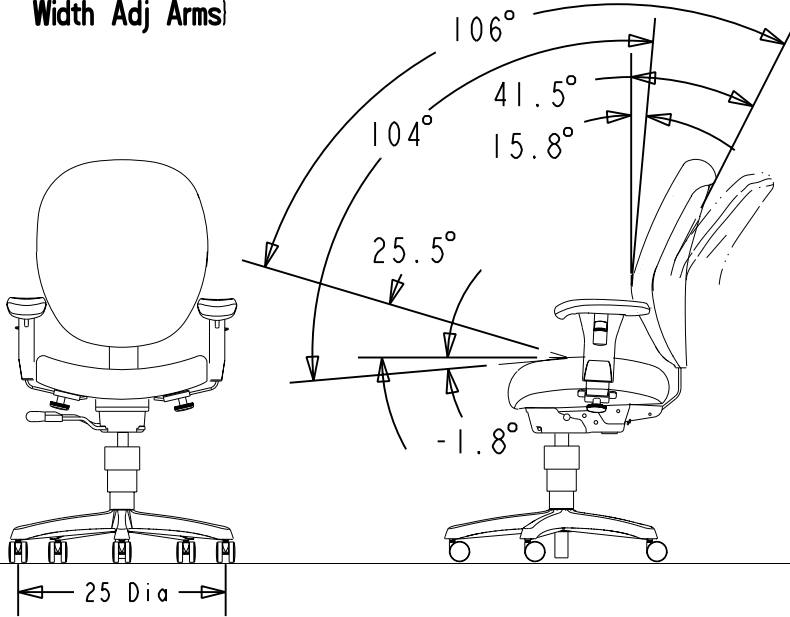


**MODEL: 7628XX**

**Mid-Back, Pneumatic, Back Height Adj, Seat Glide, Swivel, Tilt, Tilt Tension, Asynchronous Control, Height and Width Adj Arms!**



**CHAIR SPECIFICATIONS**

Max. Width.....	27-1/8
Max. Depth.....	39
Max. Height.....	42-1/2

**SEAT SIZE**

Width.....	19
Usable Depth.....	17-5/8 - 19-5/8
Height from Floor.....	18-1/2 - 22-7/8

**BACK SIZE**

Width.....	19
Height from Seat.....	21-1/2 - 24-1/2

**BACK LUMBAR**

Height.....	9 - 9-13/16
-------------	-------------

**ARM SIZE**

Distance Between Arms..	16-7/8 - 19-3/8
Height From Floor.....	24-3/8 - 31-1/2
Height From Seat.....	7-15/16 - 10-11/16
Width.....	3-1/4
Length.....	7-3/4
Arm Set Back.....	6-7/8

**CONSTRUCTION**

- Caster..... Monochromatic black open wheeled 2-1/2" diameter dual wheel.
- Optional Caster..... See List Pricer.
- Base..... 5 leg monochromatic, 25" dia, 16 gauge formed steel base arms with injection molded plastic base cap.
- Control..... Black heavy gauge steel, seat glide, swivel, tilt tension, dual-action synchro-tilt, tilt lock, 17-4 taper.
- Seat..... 1/2" thick, 7-ply Curved plywood, 3" thick urethane foam cushion.
- Back..... 1/2" thick, 7-ply compound-curved plywood, 2" thick urethane foam cushion.
- Arms..... Steel with plastic shell, built in height and width adjustment and urethane arm pad. Each arm is independently adjustable for height and width.
- Upholstery..... See List Pricer. Customer own material (COM) required yardage per SKU = 2. 0 yards.
- Chair Weight..... 55 pounds.
- Shipping Weight..... 66 pounds.
- Shipped..... Fully assembled.
- Shipping Size..... 29.13" wide x 25.88" deep x 39.76" high (17.35 cubic feet). (NOT UPS Shippable)
- Flammability Rating..... Furnished upon request by the HON Company Customer Service.
- Special Features.... A pneumatic gas cylinder is used for seat height adjustment of chair.
- Note..... All measurements are per BIFMA/CMD procedures.

**Issue Date:** 05/30/03  
**Part Number:** 53-3458