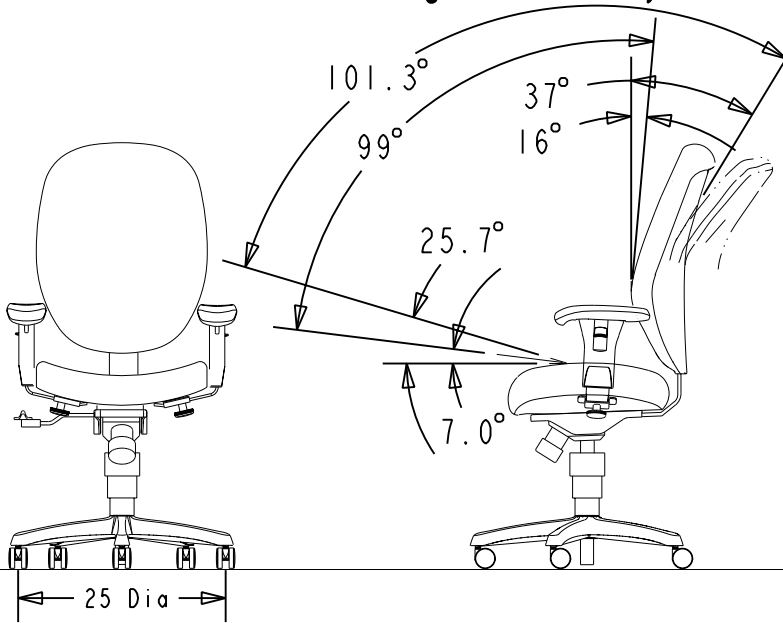


MODEL: 7602XX

**High-Back, Pneumatic, Back Height Adj, Swivel,
Tilt, Tilt Tension, Tilt Lock, Height and Width Adj Arms**



CHAIR SPECIFICATIONS

Max. Width.....	27-1/8
Max. Depth.....	40
Max. Height.....	43-3/4

SEAT SIZE

Width.....	19
Usable Depth.....	18-1/4
Height from Floor.....	17-1/2 - 21-7/8

BACK SIZE

Width.....	19
Height from Seat.....	24-1/2 - 27-1/2

BACK LUMBAR

Height.....	9 - 9-13/16
-------------	-------------

ARM SIZE

Distance Between Arms..	16-7/8 - 19-3/8
Height From Floor.....	23-3/8 - 30-5/8
Height From Seat.....	7-15/16 - 10-11/16
Width.....	3-1/4
Length.....	7-3/4
Arm Set Back.....	6-7/8

CONSTRUCTION

- Caster..... Monochromatic black open wheeled 2-1/2" diameter dual wheel.
- Optional Caster..... See List Pricer.
- Base..... 5 leg monochromatic, 25" dia, 16 gauge formed steel base arms with injection molded plastic base cap.
- Control..... Black heavy gauge steel, swivel tilt, tilt lock, 17-4 taper
- Seat..... 1/2" thick, 7-ply Curved plywood, 3" thick urethane foam cushion.
- Back..... 1/2" thick, 7-ply compound-curved plywood, 2" thick urethane foam cushion.
- Arms..... Steel with plastic shell, built in height and width adjustment and urethane arm pad. Each arm is independently adjustable for height and width.
- Upholstery..... See List Pricer. Customer own material (COM) required yardage per SKU = 2.0 yards.
- Chair Weight..... 44 pounds.
- Shipping Weight..... 55 pounds.
- Shipped..... Fully assembled.
- Shipping Size..... 29.13" wide x 25.88" deep x 39.76" high (17.35 cubic feet). (NOT UPS Shippable)
- Flammability Rating..... Furnished upon request by the HON Company Customer Service.
- Special Features.... A pneumatic gas cylinder is used for seat height adjustment of chair.
- Note..... All measurements are per BIFMA/CMD procedures.

Issue Date: 05/30/03
Part Number: 53-3455