

MODEL: 6604

Task, Mid-Range Tilt, Pneumatic

CHAIR SPECIFICATIONS

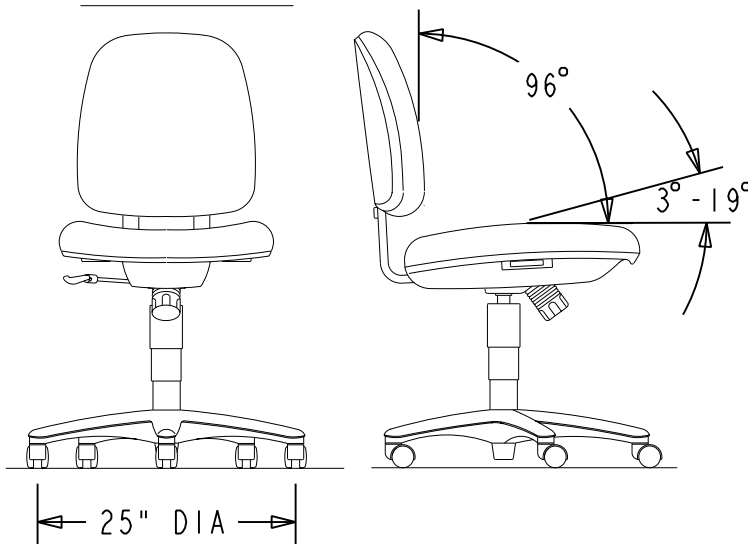
Max. Width..... 26
Max. Depth..... 26 3/8
Max. Height..... 41

SEAT SIZE

Width..... 20-1/2
Depth..... 20-1/8
Usable Depth..... 17-5/8
Height from Floor.... 17 - 21-3/4

BACK SIZE

Width..... 18-3/4
Height..... 17-1/4
Height from Seat.... 17-1/2 - 19-3/4



CONSTRUCTION

- Caster..... Monochromatic hooded 2" diameter dual wheel.
- Optional Caster..... See Dealer Net Pricer.
- Base..... 5 leg monochromatic. Base arms are 16 gauge formed steel with plastic top and bottom base cap.
- Control..... Black heavy gauge steel, Mid-Range Tilt, 17-4 taper
- Seat..... 1/2" thick, 5-ply curved plywood, 2 1/2" thick foam urethane cushion.
- Back..... Compound-curved shaped blow-molded, 1" thick urethane foam cushion.
- Arm..... One-step attachment recepticle install on seat.
Optional: Model 6796 - See Spec No 53-4399 Optional: Model 6691 - See Spec No 53-4398
Optional: Model 6797 - See Spec No 53-4386 Optional: Model 6692 - See Spec No 53-4381
Optional: Model 6798 - See Spec No 53-4387 Optional: Model 6693 - See Spec No 53-4382
- Upholstery..... See Dealer Net Pricer.
- Chair Weight..... 35 pounds.
- Shipping Weight..... 44 pounds.
- Shipped..... Completely assembled
- Shipping Size..... 27-7/8" wide x 25-7/8" deep x 35-1/2" high (14.8 cubic feet).
- Flammability Rating..... Furnished upon request by THE HON COMPANY CUSTOMER SERVICE.
- Special Features.... A pneumatic gas cylinder is used for seat height adjustment of chair.
Easy adjustable back height adjustment
- Note..... All measurements are per ANSI/BIFMA procedures.

Issue Date: 11-13-97
Part Number: 53-4396