

**MODEL:** 6601 Task,Swivel,Pneumatic

**CHAIR SPECIFICATIONS**

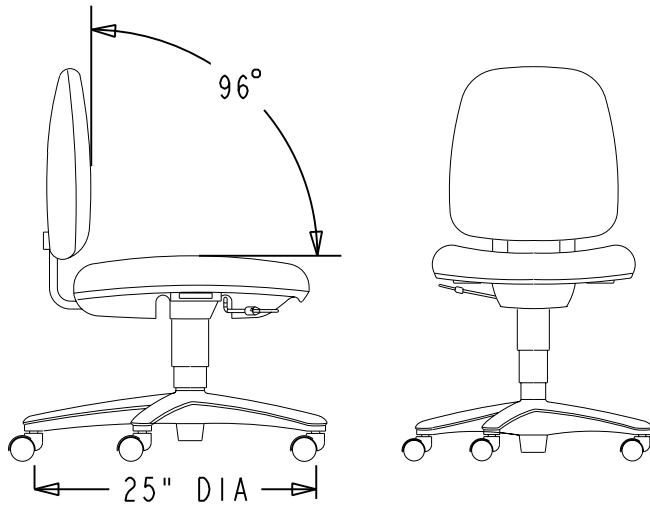
Max. Width..... 26  
Max. Depth..... 26-1/8  
Max. Height..... 40

**Seat Size**

Width..... 20-1/2  
Depth..... 20-1/8  
Usable Depth..... 17-5/8  
Height from Floor.... 15-3/4 - 20-5/8

**Back Size**

Width..... 18-3/4  
Height..... 17-1/4  
Height from Seat.... 17-1/2 - 19-3/4



**CONSTRUCTION**

- Caster..... Monochromatic hooded 2" diameter dual wheel.
- Optional Caster..... See Dealer Net Pricer.
- Base..... 5 leg monochromatic. Base arms are 16 gauge formed steel with plastic top and bottom base cap.
- Control..... Black heavy gauge steel, Swivel only, 17-4 taper
- Seat..... 1/2" thick, 5-ply curved plywood, 2 1/2" thick foam urethane cushion.
- Back..... Compound-curved shaped blow-molded, 1" thick urethane foam cushion.
- Arm..... One-step attachment recepticle install on seat.  
Optional: Model 6691 - See Spec No 53-4398  
Optional: Model 6692 - See Spec No 53-4381  
Optional: Model 6693 - See Spec No 53-4382
- Upholstery..... See Dealer Net Pricer. Customer own material (COM) required yardage per SKU = 2 yards.
- Chair Weight..... 30 pounds.
- Shipping Weight..... 39 pounds.
- Shipped..... Completely assembled
- Shipping Size..... 27-7/8" wide x 25-7/8" deep x 35-1/2" high (14.8 cubic feet).
- Flammability Rating..... Furnished upon request by THE HON COMPANY CUSTOMER SERVICE.
- Special Features.... A pneumatic gas cylinder is used for seat height adjustment of chair. Easy adjustable back height adjustment
- Note..... All measurements are per ANSI/BIFMA procedures.

**Issue Date:** 11-13-97  
**Part Number:** 53-4378