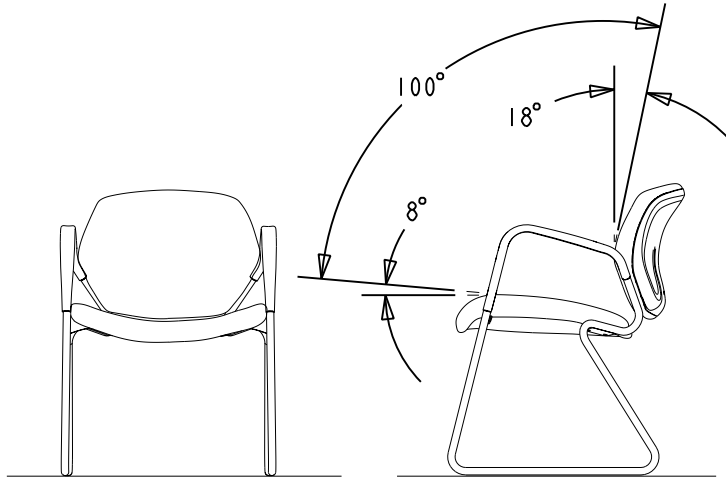


**MODEL: 6216**

**Guest, Sled Base, Arms**



**CHAIR SPECIFICATIONS**

Max. Width..... 22-3/4  
 Max. Depth..... 25-3/4  
 Max. Height..... 30-3/4

**SEAT SIZE**

Width..... 20-1/2  
 Usable Depth..... 18-1/4  
 Height from Floor..... 18-3/4

**BACK SIZE**

Width..... 19-1/2  
 Height from Seat..... 16-1/2

**BACK LUMBAR**

Height..... 9-1/2

**ARM SIZE**

Width..... 1-1/2  
 Distance between arms.. 19  
 Height from floor..... 26  
 Height from seat..... 8

**CONSTRUCTION**

- Base..... Sled base, 3/4" diameter round 12 gauge steel tubing.
- Seat..... 1/2" thick 7- ply curved plywood, 3" thick urethane foam cushion.
- Back..... 1/2" thick 7- ply compound curved plywood, 2" thick contoured urethane foam cushion.
- Arm..... Monochromatic copolymer polypropylene arm.
- Upholstery..... See L1st Pricer. Customer own material (COM) required yardage per SKU = 2 yds.
- Chair Weight..... 25 pounds.
- Shipping Weight..... 33 pounds.
- Shipped..... Fully assembled.
- Shipping Size..... 27-1/8" wide x 26-1/8" deep x 37" high (15.2 cubic feet).
- Flammability Rating..... Furnished upon request by THE HON COMPANY CUSTOMER SERVICE.
- Note..... All measurements are per BIFMA/CMD procedures.

Issue Date: 08/01/02  
 Part Number: 53-9325