

MODEL: 6212

**High-Back, Pneumatic, Lumbar-Height, Seat Glide,
Swivel, Dual-Action Synchro-Tilt, Tilt Tension, Tilt Lock
Adjustable Arms**

CHAIR SPECIFICATIONS

Max. Width..... 27-3/4
Max. Depth..... 27-1/2
Max. Height..... 44-3/4

SEAT SIZE

Width..... 20-1/2
Usable Depth..... 16 - 18-1/2
Height from Floor..... 18-3/4 - 22

BACK SIZE

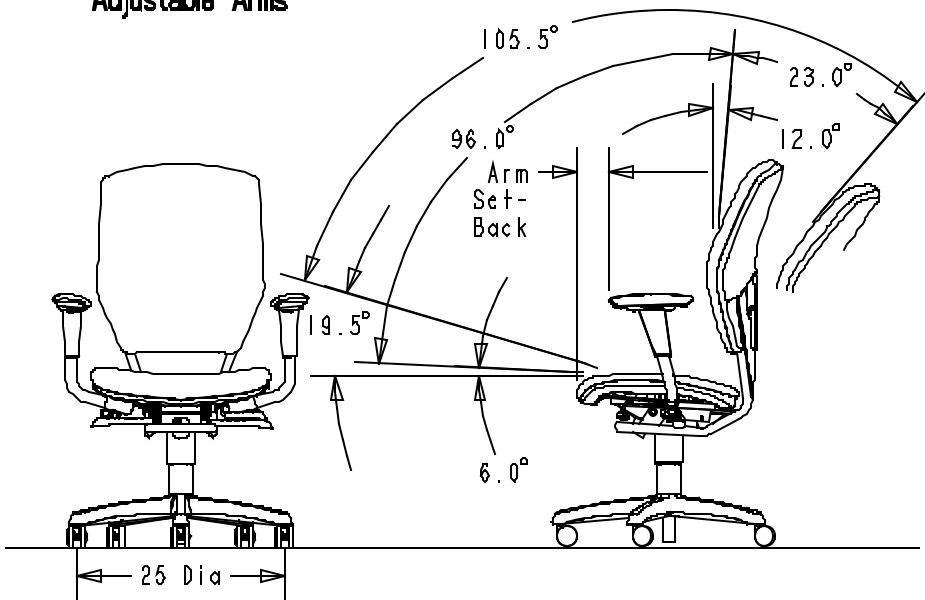
Width..... 19-3/4
Height from Seat..... 24-1/2

BACK LUMBAR

Height..... 8 - 11

ARM SIZE

Distance Between Arms.. 19 - 22-1/4
Height From Floor..... 30-1/8 - 32-3/8
Height From Seat..... 8-1/4 - 10-7/8
Width..... 4
Length..... 9-1/2
Arm Set-Back..... 4 - 6-1/4



CONSTRUCTION

- Caster..... Monochromatic black open wheeled 2-1/2" diameter dual wheel.
- Optional Caster .. See List Pricer
- Base..... 5 leg monochromatic, 25" dia, 16 gauge formed steel base arms with injection molded plastic base cap.
- Control .. Black heavy gauge steel, seat glide, swivel, tilt tension, dual-action synchro-tilt, tilt lock, 17-4 taper.
- Seat..... 1/2" thick, 7-ply Curved plywood, 3" thick urethane foam cushion.
- Back .. 1/2" thick, 7-ply compound-curved plywood, 2" thick urethane foam cushion.
- Arms..... Optional: Model 6291, Spec. 53-9326
Model 6293, Spec 53-9327
- Upholstery..... See List Pricer.
- Chair Weight..... 55 pounds.
- Shipping Weight..... 68 pounds.
- Shipped..... Fully assembled.
- Shipping Size. .. 27-3/4" wide x 27-1/4" deep x 42" high (18 4 cubic feet)
- Flammability Rating. Model 6812 does not meet the State of California Department of Consumer Affairs Technical Bulletin 133 requirements.
- Special Features.... A pneumatic gas cylinder is used for seat height adjustment of chair.
- Note..... All measurements are per BIFMA/CMD procedures.

Issue Date: 02/07/05
Part Number: 53-9323A