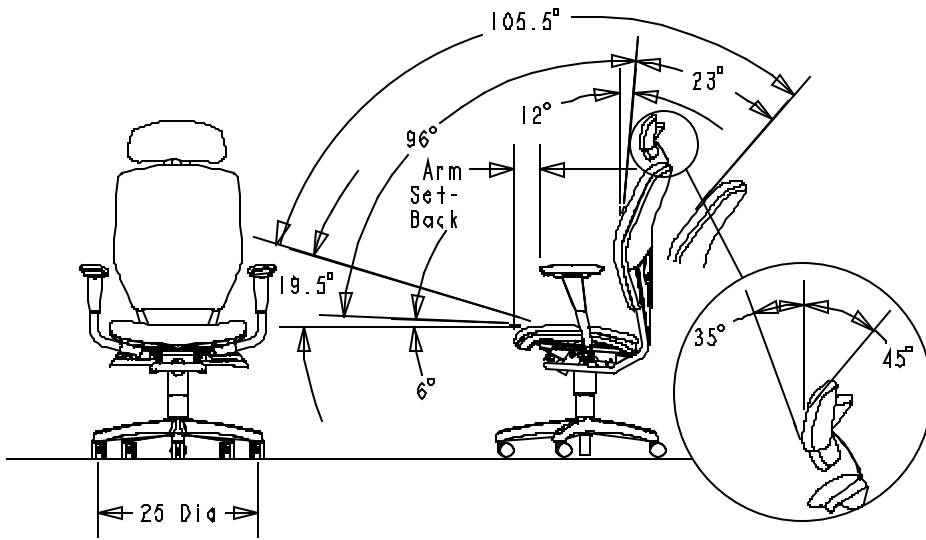


**MODEL: 6211**

**Ultra High-Back, Pneumatic, Lumbar-Height, Seat Glide, Swivel, Dual-Action Synchro-Tilt, Tilt Tension, Tilt Lock Adjustable Arms**



**CHAIR SPECIFICATIONS**

Max. Width.....	27-3/4
Max. Depth.....	27-1/2
Max. Height.....	54-1/2

**SEAT SIZE**

Width.....	20-1/2
Usable Depth.....	16 - 18-1/2
Height from Floor.....	18-3/4 - 22

**BACK SIZE**

Width.....	19-3/4
Height from Seat.....	31

**BACK LUMBAR**

Height.....	8 - 11
-------------	--------

**HEADREST**

Width.....	16
Height.....	6-1/4

**ARM SIZE**

Distance Between Arms..	19 - 22-1/4
Height From Floor.....	30-1/8 - 32-3/4
Height From Seat.....	8-1/4 - 10-7/8
Width.....	4
Length.....	9-1/2
Arm Set-Back.....	4 - 6-1/4

**CONSTRUCTION**

- Caster..... Monochromatic black open wheeled 2-1/2" diameter dual wheel.
- Optional Caster .. See List Pricer
- Base..... 5 leg monochromatic, 25" dia, 16 gauge formed steel base arms with injection molded plastic base cap.
- Control .. Black heavy gauge steel, seat glide, swivel, tilt tension, dual-action synchro-tilt, tilt lock, 17-4 taper.
- Seat..... 1/2" thick, 7-ply Curved plywood, 3" thick urethane foam cushion.
- Back .. 1/2" thick, 7-ply compound-curved plywood, 2" thick urethane foam cushion.
- Headrest..... 1/2" thick, 5-ply curver plywood, 2" thick urethane foam cushion.
- Arms..... Optional: Model 6291, Spec. 53-9326  
Model 6293, Spec. 53-9327
- Upholstery..... See List Pricer.
- Chair Weight..... 58 pounds.
- Shipping Weight..... 72 pounds.
- Shipped .. Fully assembled
- Shipping Size..... 27-3/4" wide x 27-1/4" deep x 49" high (21.4 cubic feet).
- Flammability Rating..... Model 6211 does not meet the State of California Department of Consumer Affairs Technical Bulletin 133 requirements.
- Special Features.... A pneumatic gas cylinder is used for seat height adjustment of chair.
- Note..... All measurements are per BIFMA/CMD procedures.

**Issue Date:** 02/07/05  
**Part Number:** 53-9237A