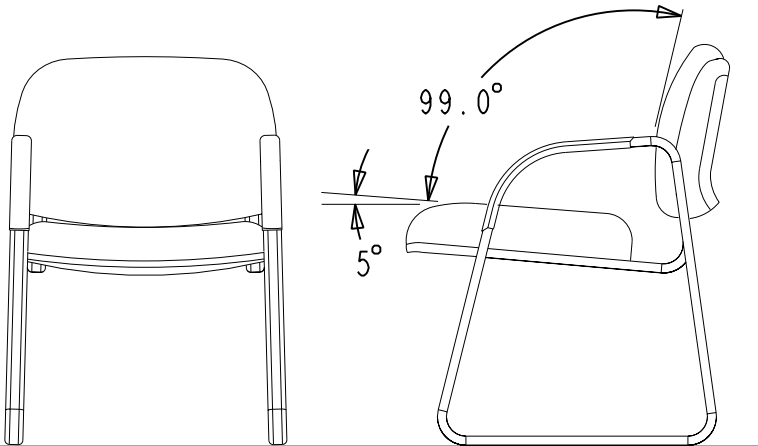


MODEL: 6008

Guest, Sled Base, Arms



CHAIR SPECIFICATIONS

Max. Width..... 23
 Max. Depth..... 25-1/2
 Max. Height..... 32-1/4

Seat Size

Width..... 20
 Depth..... 17-3/4
 Usable Depth..... 18-1/2
 Height from Floor..... 19

Back Size

Width..... 21
 Height..... 13-1/2
 Height from Seat..... 16-1/4

Arm Size

Width..... 1-3/4
 Distance Between
 Arms..... 19-1/4
 Height from Seat..... 7
 Height from Floor..... 26

CONSTRUCTION

Glide..... Plastic
 Frame..... Monochromatic 1-1/2" x 3/4" oval, 16 gauge steel tubing
 Seat..... 1/2" thick, 5-ply curved plywood, 3" thick urethane foam cushion
 Back..... 1/2" thick, 5-ply curved plywood, 3" thick urethane foam cushion
 Arm..... Monochromatic 1-1/2" x 3/4" oval gage steel with polyurethane arm pad
 Upholstery..... See Net Pricer. COM required yardage per SKU- 1 yard
 Chair Weight..... 25 pounds.
 Shipping Weight..... 34 pounds.
 Shipped..... Completely assembled
 Shipping Size..... 25-7/8" wide x 24-3/8" deep x 33" high
 (12 cubic feet).

Flammability

Rating..... Furnished upon request by THE HON COMPANY CUSTOMER SERVICE.

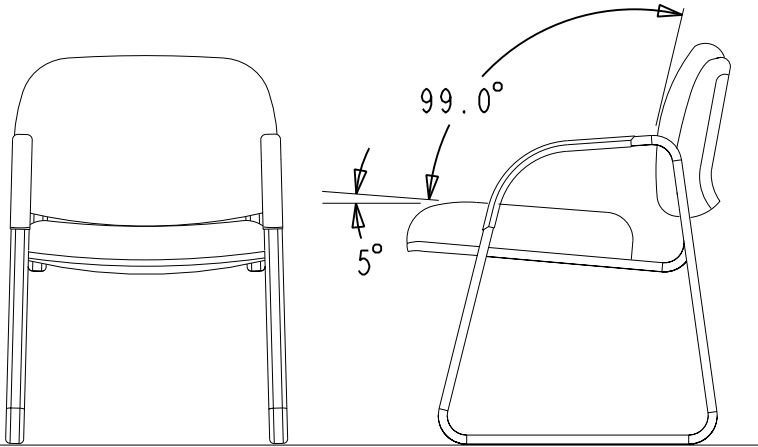
Note..... All measurements are per ANSI/BIFMA procedures.

Issue Date: 12-10-93

Part Number: 53-8699

MODEL: 6008

Guest, Sled Base, Arms



CHAIR SPECIFICATIONS

Max. Width..... 23
 Max. Depth..... 25-1/2
 Max. Height..... 32-1/4

Seat Size

Width..... 20
 Depth..... 17-3/4
 Usable Depth..... 18-1/2
 Height from Floor..... 19

Back Size

Width..... 21
 Height..... 13-1/2
 Height from Seat..... 16-1/4

Arm Size

Width..... 1-3/4
 Distance Between
 Arms..... 19-1/4
 Height from Seat..... 7
 Height from Floor..... 26

CONSTRUCTION

Glide..... Plastic
 Frame..... Monochromatic 1-1/2" x 3/4" oval, 16 gauge steel tubing
 Seat..... 1/2" thick, 5-ply curved plywood, 3" thick urethane foam cushion
 Back..... 1/2" thick, 5-ply curved plywood, 3" thick urethane foam cushion
 Arm..... Monochromatic 1-1/2" x 3/4" oval gage steel with polyurethane arm pad
 Upholstery..... See Net Pricer. COM required yardage per SKU- 1 yard
 Chair Weight..... 25 pounds.
 Shipping Weight..... 34 pounds.
 Shipped..... Completely assembled
 Shipping Size..... 25-7/8" wide x 24-3/8" deep x 33" high
 (12 cubic feet).

Flammability

Rating..... Furnished upon request by THE HON COMPANY CUSTOMER SERVICE.

Note..... All measurements are per ANSI/BIFMA procedures.

Issue Date: 12-10-93

Part Number: 53-8699

