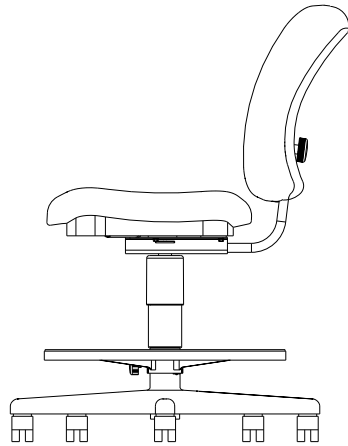
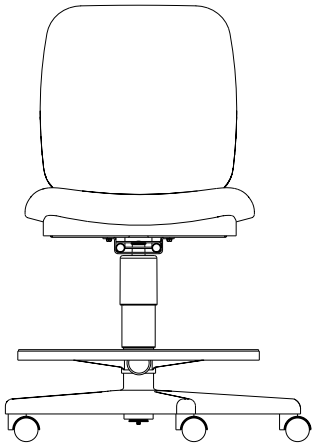


MODEL: 5905XX



CHAIR SPECIFICATIONS

Max. Width..... 26 3/4
Max. Depth..... 30
Max. Height..... 49 3/4

SEAT SIZE

Width..... 20
Depth..... 18
Usable Depth..... 17
Height from Floor.... 21 3/4 - 31 7/8

BACK SIZE

Width..... 16 1/4
Height..... 16 3/4
Height from Seat.... 15 1/4 - 17 3/4

LUMBAR

Height..... 7 - 9 1/2

FOOTRING

Size..... 20
Height from Floor... 7 1/8 - 12 3/4

CONSTRUCTION

- Caster..... Black hooded 2" diameter dual wheel.
- Optional Caster..... See Dealer Net Pricer.
- Base..... Black, (5) leg, injection molded plastic base.
- Control..... Black heavy gauge steel, 17-4 taper
- Seat..... Compound-curved shaped blow-molded plastic, 2" thick urethane foam cushion.
- Back..... Compound-curved shaped blow-molded plastic, 1 1/2" thick urethane foam cushion.
- Arm..... Optional: Model 5991 (Non Adjustable T-Post Arms)
Model 5994 (Loop Arm)
Model 5995 (Adjustable Height T-Post Arms)
- Upholstery..... See Dealer Net Pricer.
- Chair Weight..... 27 pounds
- Shipping Weight..... 34 pounds
- Shipped..... Two piece assembly.
- Shipping Size..... 30 1/2" X 26 3/8" X 22 1/2" (10.50 Cubic Feet).
- Flammability Rating..... Furnished upon request by THE HON COMPANY CUSTOMER SERVICE .
- Special Features.... A pneumatic gas cylinder is used for seat height adjustment of chair.
- Note..... All measurements are per ANSI/BIFMA procedures.

Issue Date: 04/02/03
Part Number: 53-4207 C

HON THE HON COMPANY

MODEL:

5905XX

PART NO

DWG REV

TITLE

CHAIR SPECIFICATION

53-4207

C

Dwn

S. TALLMAN
10-17-96

CRD

11-25-96
TWB

APP

03/31/97
JHG

Sheet 2 of 2

Ⓒ MAX. HEIGHT 49 3/4 WAS 44 1/2; SEAT HEIGHT FROM FLOOR 21 3/4 - 31 7/8 WAS 18 7/8 - 26 5/8; FOOTRING HEIGHT FROM FLOOR 7 1/8 - 12 3/4 WAS 7 1/8 - 10 1/8; SHIPPING SIZE 30 1/2 X 26 3/8 X 22 1/2 (10.50 CUBIC FEET) WAS 30 X 25 3/4 X 20 1/2 (9.16 CUBIC FEET). (E.C.R. 123942 & REL. NO. 12-4702) Jdz 04/02/03 CDZ ←

REVISION NOTES

CADD

53-4207
Sheet 2 of 2