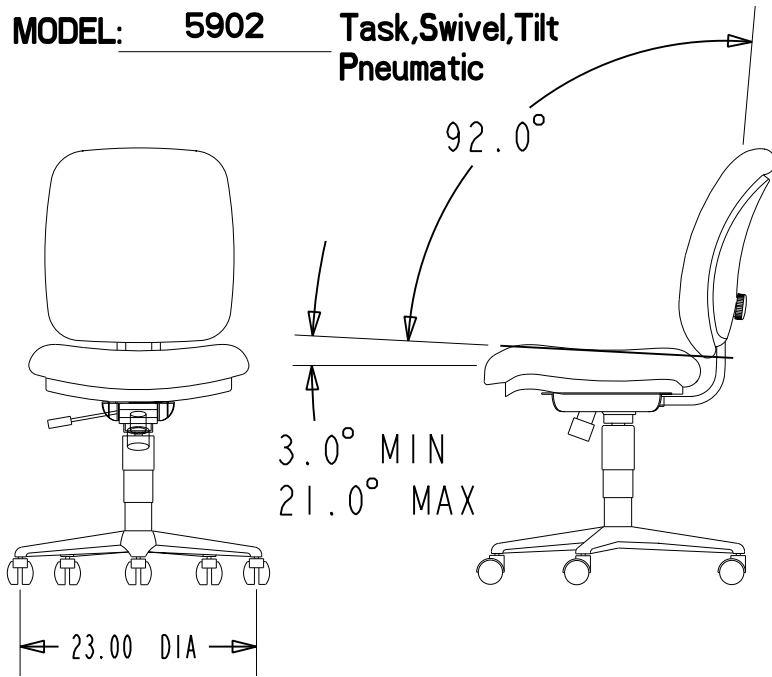


MODEL: 5902

Task, Swivel, Tilt
Pneumatic



CHAIR SPECIFICATIONS

Max. Width..... 23
 Max. Depth..... 27 3/4
 Max. Height..... 39 3/4

SEAT SIZE

Width..... 20
 Depth..... 18
 Usable Depth..... 16 3/4
 Height from Floor.... 17 - 22

BACK SIZE

Width..... 16 1/4
 Height..... 16 3/4
 Height from Seat.... 18 1/2 - 21

LUMBAR

Height..... 7 - 9 1/2

CONSTRUCTION

- Caster..... Black hooded 2" diameter dual wheel.
- Optional Caster..... See Dealer Net Pricer.
- Base..... Black 5 legged. Base arms are 16 gauge formed steel with black plastic base cap.
- Control..... Black heavy gauge steel, swivel tilt, 17-4 taper
- Seat..... Compound-curved shaped blow-molded plastic, 2" thick urethane foam cushion.
- Back..... Compound-curved shaped blow-molded plastic, 1 1/2" thick urethane foam cushion.
- Arm..... Optional: Model 5991 - See Model Spec No 53-4368
 5994 - See Model Spec No 53-4268
 5995 - See model Spec No 53-4345
- Upholstery..... See Dealer Net Pricer.
- Chair Weight..... 25 pounds.
- Shipping Weight..... 30 pounds.
- Shipped..... Two-piece assembly
- Shipping Size..... 24" wide x 30 3/8" deep x 18 1/2" high (7.8 cubic feet). (UPS Shippable)
- Flammability Rating..... Furnished upon request by THE HON COMPANY CUSTOMER SERVICE .
- Special Features.... A pneumatic gas cylinder is used for seat height adjustment of chair.
- Note..... All measurements are per ANSI/BIFMA procedures.

Issue Date: 9-20-96
 Part Number: 53-4267