

**MODEL: 5901 Task,Swivel,Pneumatic**

**CHAIR SPECIFICATIONS**

Max. Width..... 23  
 Max. Depth..... 28 3/4  
 Max. Height..... 38 1/4

**SEAT SIZE**

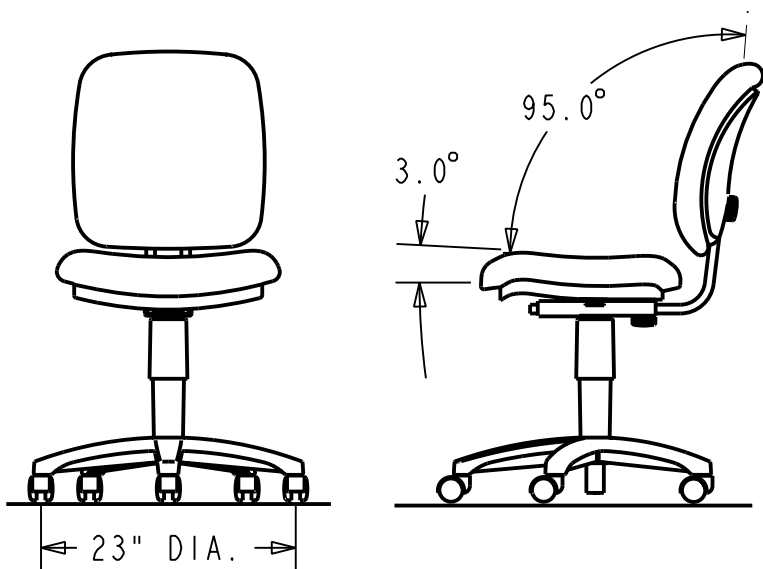
Width..... 20  
 Depth..... 18  
 Usable Depth..... 16 3/8 - 18 1/8  
 Height from Floor.... 15 1/8 - 20 3/16

**BACK SIZE**

Width..... 16 1/4  
 Height..... 16 3/4  
 Height from Seat.... 15 1/4 - 17 3/4

**LUMBAR**

Height..... 7 - 9 1/2



**CONSTRUCTION**

- Caster..... Black hooded 2" diameter dual wheel.
- Optional Caster..... See Dealer Net Pricer.
- Base..... Black 5 legged. Base arms are 16 gauge formed steel with black plastic base cap.
- Control..... Black heavy gauge steel, 17-4 taper
- Seat..... Compound-curved shaped blow-molded plastic, 2" thick urethane foam cushion.
- Back..... Compound-curved shaped blow-molded plastic, 1 1/2" thick urethane foam cushion.
- Arm..... Optional: Model 5991 ( Non-adjustable T-post Arms)  
 Model 5994 ( Loop Arms)  
 Model 5995 ( Adjustable Height T-post Arms)
- Upholstery..... See Dealer Net Pricer.
- Chair Weight..... 25 pounds.
- Shipping Weight..... 30 pounds.
- Shipped..... Two-piece assembly
- Shipping Size..... 24" wide x 30 3/8" deep x 18.50" high (7.8 cubic feet). (UPS Shippable)
- Flammability Rating..... Furnished upon request by THE HON COMPANY GENEVA SEATING PLANT MANAGER.
- Special Features.... A pneumatic gas cylinder is used for seat height adjustment of chair.
- Note..... All measurements are per ANSI/BIFMA procedures.

**Issue Date: 03/31/97**  
**Part Number: 53-4367**