

MODEL: 5831 **Task,Swivel,Pneumatic**

CHAIR SPECIFICATIONS

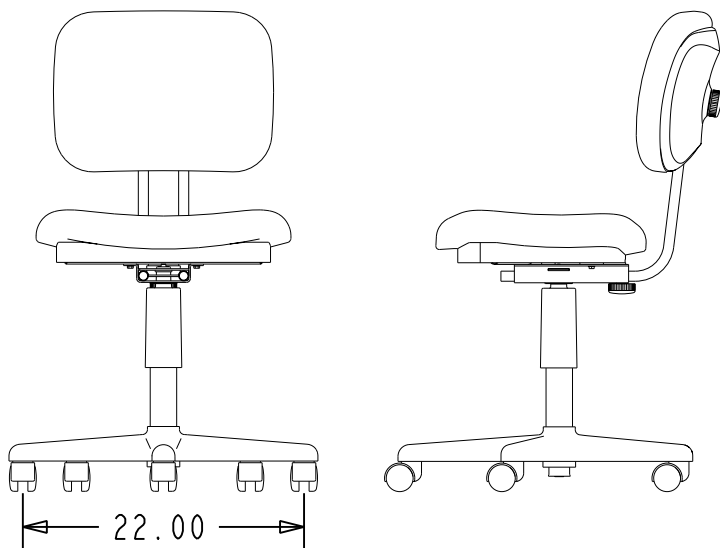
Max. Width..... 22
Max. Depth..... 25-1/4
Max. Height..... 37-1/2

SEAT SIZE

Width..... 20
Depth..... 17
Usable Depth..... 14-1/4 - 17
Height from Floor.... 16-1/4 - 21-1/4

BACK SIZE

Width..... 16-1/2
Height..... 12-1/2
Height from Seat..... 14-3/4 - 16-1/4



CONSTRUCTION

- Caster..... Black hooded 2" diameter dual wheel.
Optional Caster..... See Dealer Net Pricer.
Base..... Black, (5) leg, injection molded plastic base.
Control..... Black heavy gauge steel, 17-4 taper
Seat..... Compound-curved shaped blow-molded plastic, 2" thick urethane foam cushion.
Back..... Compound-curved shaped blow-molded plastic, 1 1/2" thick urethane foam cushion.
Arm..... Optional: Model 5893 - See Model Spec No 53-4358
Upholstery..... See Dealer Net Pricer.
Chair Weight..... 21 pounds.
Shipping Weight..... 26 pounds.
Shipped..... Two-piece assembly
Shipping Size..... 23-3/4" wide x 26" deep x 16-1/2" high (5.9 cubic feet). (UPS Shippable)
Flammability
Rating..... Furnished upon request by THE HON COMPANY CUSTOMER SERVICE.
Special Features.... A pneumatic gas cylinder is used for seat height adjustment of chair.
Note..... All measurements are per ANSI/BIFMA procedures.

Issue Date: 5-24-96

Part Number: 53-4356