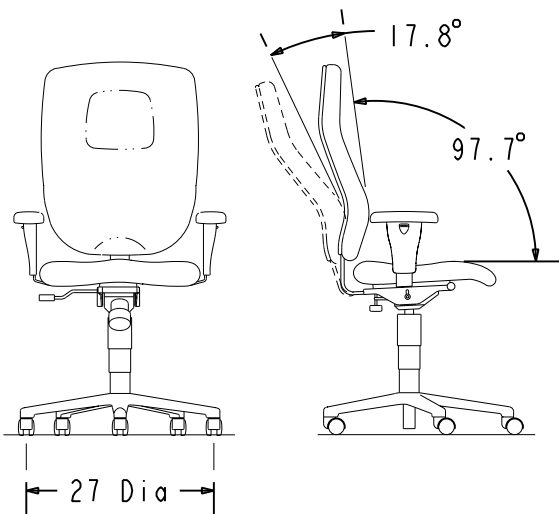


5403

High-Back Managerial Task,  
Synchro-Tilt, Tilt Lock, Pneumatic,  
Height/Width Adjustable Post Arm



**CHAIR SPECIFICATIONS**

Max. Width.....	31"
Max. Depth.....	30"
Max. Height.....	50-3/4"
Seat Size	
Width.....	23-3/4"
Depth.....	21-1/4"
Usable Depth.....	20"
Height from Floor.....	18-1/4" - 22-1/4"
Back Size	
Width.....	23-1/2"
Height.....	28-3/4"
Height from Seat.....	30"
Arm Size	
Width.....	4"
Distance between	
arms.....	20-1/2" - 23-1/2"
Height from seat.....	10-1/4" - 12-1/2"
Height from floor.....	28-1/2" - 34-3/4"

**CONSTRUCTION**

- Caster..... Hooded 2-3/8" diameter dual wheel, monochromatic black finish.
- Optional Caster..... See Dealer Net Pricer.
- Base..... 5 leg base is 28-7/8" dia., cast aluminum with black powder coat finish.
- Control..... Black heavy gauge steel, synchro-tilt, tilt lock, 17-4 taper.
- Seat..... 5/8" thick, 9-ply curved plywood, 4" thick mult-density urethane foam cushion.
- Back..... 5/8" thick, 9-ply curved plywood, 3" thick mult-density urethane foam cushion.
- Arm..... Steel with plastic shell, built in height adjustment and upholstered arm pad. Each arm is independently height/width adjustable.
- Upholstery..... See Dealer Net Pricer. Customer own material (COM) required yardage per SKU = 4.0 yards. Vinyl and Leather not available.
- Chair Weight..... 63.0 pounds.
- Shipping Weight..... 84.0 pounds.
- Shipped..... Completely assembled.
- Shipping Size..... 32.0" X 31.0" X 49.5" (CUBIC FEET 28.42).
- Flammability Rating..... This model not available in flame-retardent options.
- Special Features..... A pneumatic gas cylinder is used for seat height adjustment. Large scale 'Big or Tall' model warranted to 450 lbs. for normal use. Soft casters are available as an optional feature.
- Note..... All measurements are per BIFMA CMD-1-96 procedure.

3-30-98

53-3343