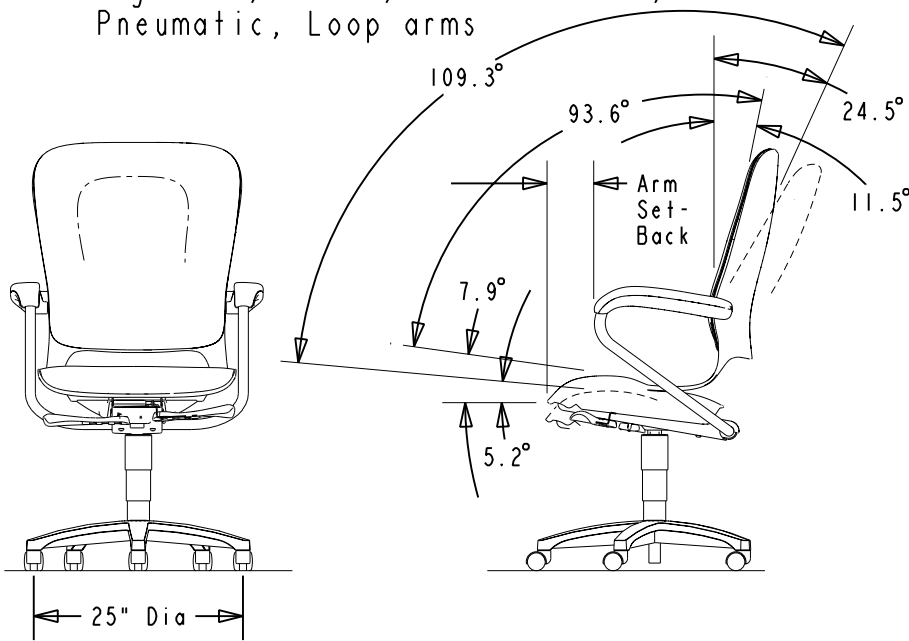


MODEL: 4701

High-back, Swivel, Zero knee-tilt,
Pneumatic, Loop arms



CHAIR SPECIFICATION:

Max. Width..... 25-1/2
 Max. Depth..... 32-3/4
 Max. Height..... 45-1/2

SEAT SIZE:

Width..... 20-1/4
 Depth..... 19-1/4
 Useable Depth..... 16-3/8
 Height from Floor..... 17-1/4 - 22-1/4

BACK SIZE:

Width..... 21-1/2 ←
 Height..... 23
 Height from Seat..... 25-3/4

BACK LUMBAR:

Height from Seat..... 10

ARM SIZE:

Distance between Arms.. 19
 Height from Floor..... 25-1/2 - 30-1/2
 Height from Seat..... 9-1/2
 Width..... 2-1/2
 Length..... 6
 Arm Set-Back..... 4-1/2

CONSTRUCTION

- Caster..... Monochromatic hooded 2" diameter dual wheel.
- Optional Caster..... See Dealer Net Pricer.
- Base..... 5 legged monochromatic. Base arms are 16 gauge formed steel with plastic base cap.
- Control..... Black heavy gauge steel, swivel tilt, tilt lock, 17-4 taper.
- Seat..... Compound-curved shape, injection-molded plastic, 2" thick urethane foam cushion.
- Back..... Compound-curved shape, injection-molded plastic, 1-1/2" thick urethane foam cushion.
- Arm..... Monochromatic 1" diameter steel with soft PVC skin/polyurethane foam pad.
- Upholstery..... See Dealer Net Pricer. Customer own material (COM) required yardage per SKU = 2 yds.
- Chair Weight..... 42 pounds.
- Shipping Weight..... 54 pounds.
- Shipped..... Completed assembled
- Shipping Size..... 27-3/4" wide x 27-1/4 deep x 42" high (18.4 cubic feet).
- Flammability Rating..... Furnished upon request by THE HON COMPANY CUSTOMER SERVICE.
- Special Features.... A pneumatic gas cylinder is used for seat height adjustment of chair.
- Note..... All measurements are per BIFMA/CMD procedures.

Issue Date: 9-27-99
 Part Number: 53-9171