

MODEL: 4605

Guest, Leg Base, Arms

CHAIR SPECIFICATIONS

Max. Width..... 24-3/4
Max. Depth..... 22-1/2
Max. Height..... 33

SEAT SIZE

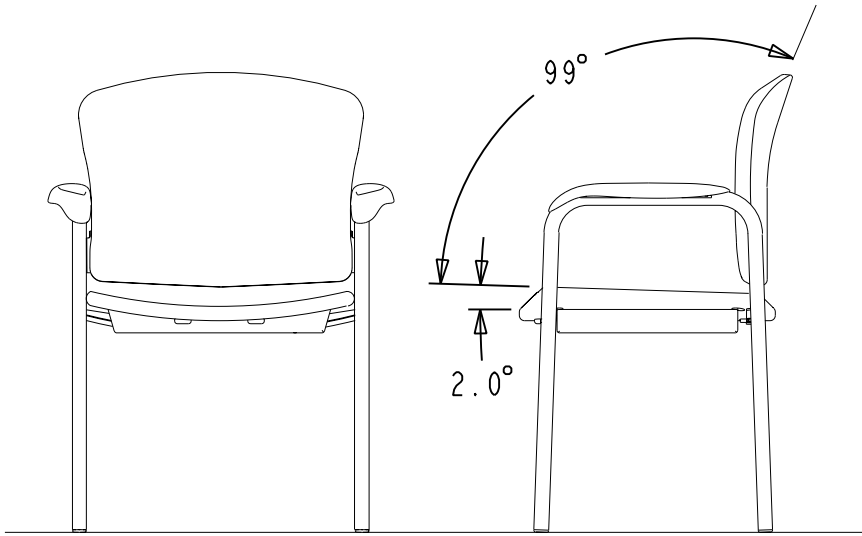
Width..... 20-1/4
Depth..... 19-1/2
Usable Depth..... 16-1/4
Height from Floor..... 18

BACK SIZE

Width..... 21-1/4
Height..... 16-1/4
Height from Seat..... 17-1/2

ARM SIZE

Width..... 3
Distance between arms.. 18-3/4
Height from floor..... 26-3/4
Height from seat..... 8



CONSTRUCTION

- Glide..... Clear plastic.
- Frame..... Monochromatic 1" round, 12 gauge steel tubing.
- Seat..... Compound-curved shaped blow-molded plastic, 3" thick urethane foam cushion.
- Back..... 1/2" thick, 5-ply curved plywood, 1-1/2" thick urethane foam cushion.
- Arm..... Monochromatic 1" diameter steel and PVC skin over urethane arm rest.
- Upholstery..... See List Pricer.
- Chair Weight.....23 pounds.
- Shipping Weight..... 34 pounds.
- Shipped..... Completely assembled.
- Shipping Size..... 26" wide x 24" deep x 34-1/2" high (12.5 cubic feet).
- Flammability Rating..... Furnished upon request by THE HON COMPANY CUSTOMER SERVICE.
- Note..... All measurements are per ANSI/BIFMA procedures.

Issue Date: 9-16-98
Part Number: 53-9145
Rev: A