

MODEL: 4601

Executive High-Back,  
Pneumatic, Swivel, Tilt,  
Tilt Lock, Tilt Tension,  
Arms

**CHAIR SPECIFICATIONS**

Max. Width..... 27 1/2  
Max. Depth..... 28-3/4  
Max. Height..... 44-1/4

**SEAT SIZE**

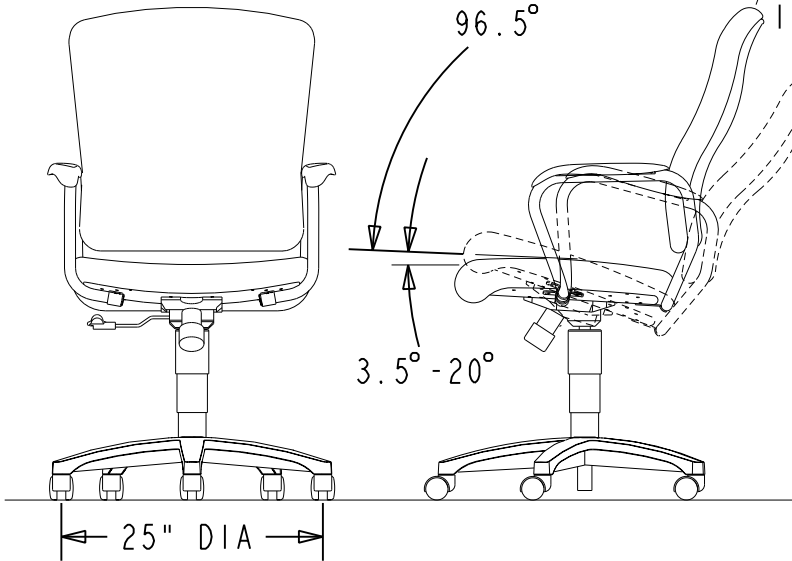
Width..... 20-1/2  
Depth..... 19-1/2  
Usable Depth..... 18  
Height from Floor.... 16-1/2 - 21-1/2

**BACK SIZE**

Width..... 22  
Height..... 22-3/4  
Height from Seat.... 26

**ARM SIZE**

Distance Between Arms 20  
Height from Floor.... 25-1/2 - 30-1/2  
Height from Seat.... 8-3/4  
Width..... 3



**CONSTRUCTION**

- Caster..... Monochromatic hooded 2" diameter dual wheel.
- Optional Caster..... See List Pricer.
- Base..... 5 leg monochromatic, base arms are 16 gauge formed steel with plastic base cap.
- Control..... Black heavy gauge steel, swivel, tilt, tilt lock, 17-4 taper.
- Seat..... 1/2" thick 5-ply plywood, 3" thick urethane foam cushion with 1/2" thick visco-elastic foam topper.
- Back..... 1/2" thick 5-ply plywood, 2" thick urethane foam cushion.
- Arm..... Monochromatic 1" diameter steel and PVC skin over urethane arm rest.
- Upholstery..... See List Pricer. Customer own material (COM) required yardage per SKU = 2 yards.
- Chair Weight..... 41 pounds.
- Shipping Weight..... 51 pounds.
- Shipped..... Completely assembled.
- Shipping Size..... 27-3/4" wide x 27-1/4" deep x 42" high (18.4 cubic feet).
- Flammability Rating..... Furnished upon request by THE HON COMPANY CUSTOMER SERVICE .
- Special Features.... A pneumatic gas cylinder is used for seat height adjustment of chair.
- Note..... All measurements are per ANSI/BIFMA procedures.

Issue Date: 05/10/04  
Part Number: 53-9141  
Rev: B