

MODEL: 4321 - PERPETUAL

Mid-back, Pneumatic, Seat Glide,
Swivel, Synchro-tilt,
Tilt Tension, Tilt Lock, Fixed Arms

CHAIR SPECIFICATION

Max. Width 26-3/4
Max. Depth 26-3/4
Max. Height 41-1/4

SEAT SIZE

Width 21
Depth 19
Useable Depth 17 - 19
Height from Floor 18-1/4 - 22

BACK SIZE:

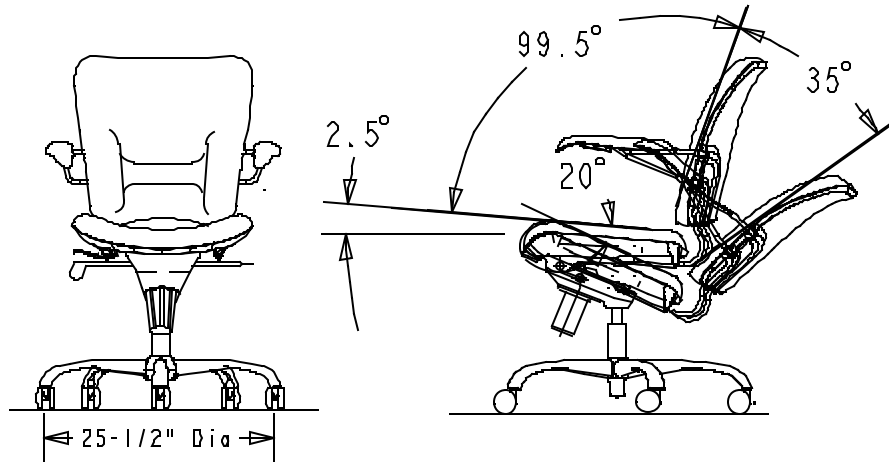
Width 20
Height 20
Height from Seat 22 1/2
Height from Floor 37-1/4 - 41-1

BACK LUMBAR:

Height from Seat 6

ARM SIZE:

Distance between Arms . 19
Height from Floor 27-1/4 - 31
Height from Seat 8-1/4
Width 3
Length 12-3/4
Arm Set-Back 4-1/4



CONSTRUCTION

- Caster Monochromatic, black only, open wheeled 2-1/2" diameter dual wheel.
- Optional Caster See Dealer Net Pricer.
- Base 5 legged black or titanium, 25-1/2" dia, formed steel with plastic base cap around center hub.
- Control Black heavy gauge steel, knee synchro-tilt, tilt-lock, slider, 17-4 taper.
- Frame Black or titanium 7/16" diameter steel wire.
- Seat 1/2" thick, 5 ply curved plywood, 2 1/2" thick upholstered urethane foam cushion.
- Back 1/2" thick, 5 ply compound curved plywood, 2" thick upholstered urethane foam cushion.
- Arm 7/16" black or titanium steel wire frame with black PVC skin over urethane arm rest.
- Upholstery See Dealer Net Pricer. Customer own material (COM) required yardage per SKU = 1.5 yd.
- Chair Weight 53 pounds.
- Shipping Weight 61 pounds.
- Shipped Fully Assembled. (IS NOT UPSable)
- Shipping Size 27.75" wide x 27.25" deep x 42.00" high (18.4 cubic feet).
- Flammability Rating Furnished upon request by THE HON COMPANY CUSTOMER SERVICE.
- Special Features A pneumatic gas cylinder is used for seat height adjustment of chair.
- Note All measurements are per BIFMA/CMD procedures.

Issue Date: 06/14/04

Part Number: 53-9208