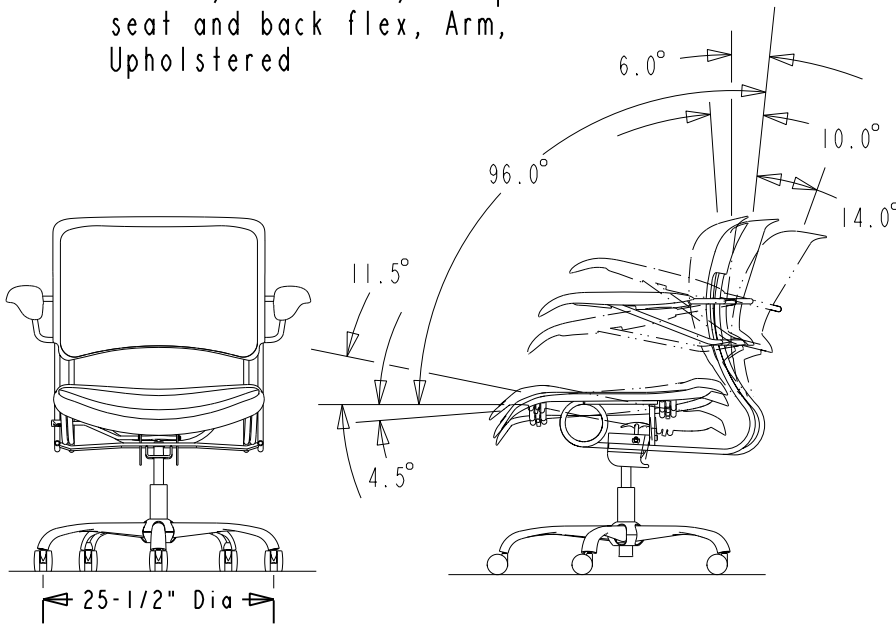


MODEL: 4313 - PERPETUAL

Swivel, Pneumatic, Independent seat and back flex, Arm, Upholstered



CHAIR SPECIFICATION:

Max. Width..... 28
Max. Depth..... 28
Max. Height..... 37-1/2

SEAT SIZE:

Width..... 17-1/2
Depth..... 19-1/2
Useable Depth..... 17-1/2
Height from Floor..... 17-1/4 - 21-3/4

BACK SIZE:

Width..... 17-3/4
Height..... 12
Height from Seat..... 16

BACK LUMBAR:

Height from Seat..... 7

ARM SIZE:

Distance between Arms..... 18-3/4
Height from Floor..... 26-3/4 - 31-1/4
Height from Seat..... 9-1/2
Width..... 3-3/4
Length..... 12-3/4
Arm Set-Back..... 4-1/2

CONSTRUCTION

- Caster..... Monochromatic, black only, open wheeled 2-1/2" diameter dual wheel.
- Optional Caster..... See Dealer Net Pricer.
- Base..... 5 legged monochromatic, 25-1/2" dia, formed steel with plastic base cap around center hub.
- Control..... Black heavy gauge steel, swivel, 17-4 taper.
- Frame..... Monochromatic, black or titanium 7/16" diameter steel wire.
- Seat..... 1/8" thick textured polymer, Lava Gray only, 1" thick upholstered urethane foam cushion.
- Back..... 1/8" thick textured polymer, Lava Gray only, 3/4" thick upholstered urethane foam cushion.
- Arm..... 7/16" black or titanium steel wire frame with black PVC skin over urethane arm rest.
- Upholstery..... See Dealer Net Pricer. Customer own material (COM) required yardage per SKU = 1 yd.
- Chair Weight..... 42 pounds.
- Shipping Weight..... 51 pounds.
- Shipped..... Knocked down.
- Shipping Size..... 27" wide x 26-1/2" deep x 24-1/2" high (10.1 cubic feet). Package is UPSable.
- Flammability Rating..... Furnished upon request by THE HON COMPANY CUSTOMER SERVICE.
- Special Features.... A pneumatic gas cylinder is used for seat height adjustment of chair.
- Note..... All measurements are per BIFMA/CMD procedures.

Issue Date: 05/03/02
Part Number: 53-9333