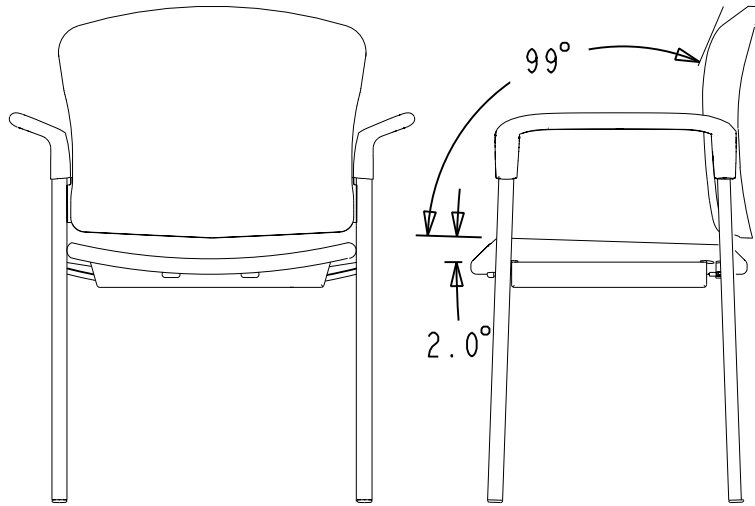


MODEL: 4071

Guest, Arms



CHAIR SPECIFICATIONS

Max. Width.....	27-1/4
Max. Depth.....	22-1/2
Max. Height.....	33
<u>Seat Size</u>	
Width.....	20-1/4
Depth.....	19-1/2
Usable Depth.....	16-1/4
Height from Floor.....	18
<u>Back Size</u>	
Width.....	21-1/4
Height.....	16-1/4
Height from Seat.....	17-1/2
<u>Arm Size</u>	
Width.....	1-7/8
Distance between arms..	23-3/4
Height from floor.....	25-7/8
Height from seat.....	7-3/4

CONSTRUCTION

- Glide..... Clear plastic.
- Frame..... Monochromatic 1" round, 14 gauge steel tubing.
- Seat..... Compound-curved shaped blow-molded plastic, 3" thick urethane foam cushion.
- Back..... 1/2" thick, 5-ply curved plywood, 1-1/2" thick urethane foam cushion.
- Arm..... Monochromatic, overmolded plastic.
- Upholstery..... See List Pricer. Customer own material (COM) required yardage per SKU = 3 yards.
- Chair Weight.....21 pounds.
- Shipping Weight..... 56 pounds. ←
- Shipped..... Completely assembled, (2) per carton.
- Shipping Size..... 29.00" wide x 29.00" deep x 40-1/8" high (19.53 cubic feet). ←
- Flammability Rating..... Furnished upon request by THE HON COMPANY CUSTOMER SERVICE.
- Note..... All measurements are per ANSI/BIFMA procedures.

Issue Date: 12-01-97
Part Number: 53-4271