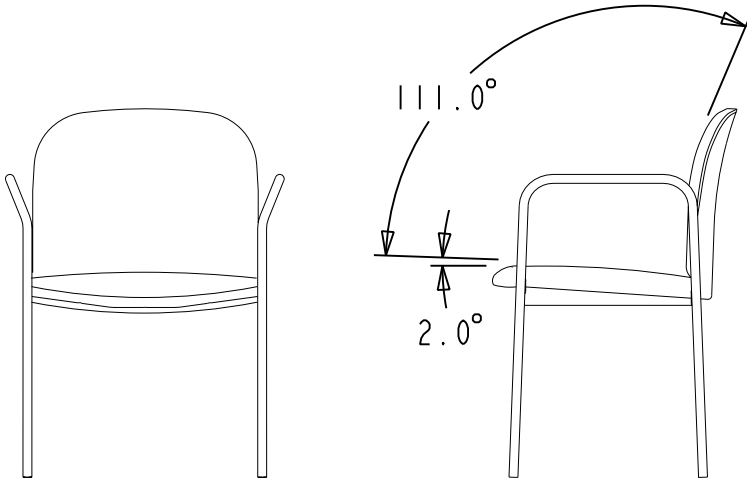


MODEL: 4051

Guest, Arms

CHAIR SPECIFICATIONS

Max. Width.....	23-1/2
Max. Depth.....	23-1/4
Max. Height.....	30-3/4
<u>Seat Size</u>	
Width.....	20
Depth.....	19
Usable Depth.....	17-1/4
Height from Floor.....	18-1/4
<u>Back Size</u>	
Width.....	19-1/2
Height.....	15-3/4
Height from Seat.....	15-1/2
<u>Arm Size</u>	
Width.....	3/4
Distance between arms..	22
Height from floor.....	25-3/4
Height from seat.....	7



CONSTRUCTION

- Glide..... Black plastic.
- Frame..... Monochromatic 3/4" round, 14 gauge steel tubing.
- Seat..... 1/2" thick, 5-ply curved plywood, 2" thick urethane foam cushion.
- Back..... 1/2" thick, 5-ply curved plywood, 1" thick urethane foam cushion.
- Arm..... Monochromatic 3/4" round, 14 gauge steel tubing.
- Upholstery..... See Dealer Net Pricer. Customer own material (COM) required yardage per SKU = 3 yards.
- Chair Weight.....21 pounds.
- Shipping Weight..... 50 pounds.
- Shipped..... Completely assembled, (2) per carton.
- Shipping Size..... 28-1/16" wide x 26-1/16" deep x 36-5/16" high (15.4 cubic feet).
- Flammability Rating..... Furnished upon request by THE HON COMPANY CUSTOMER SERVICE.
- Note..... All measurements are per ANSI/BIFMA procedures.

Issue Date: 03-31-97
Part Number: 53-4434