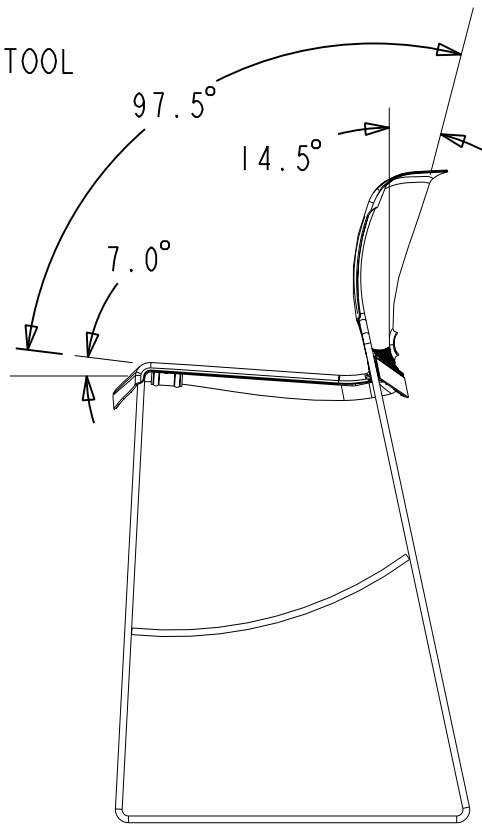
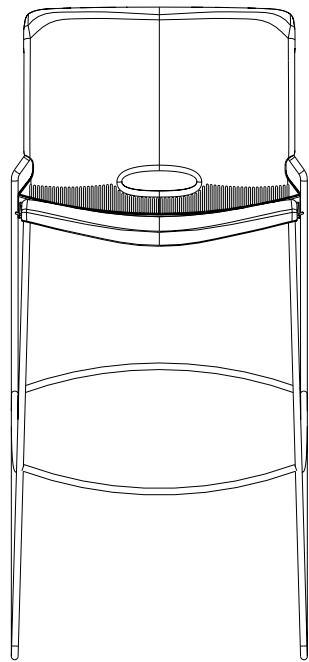


**MODEL:** 4047  
30" OLSON STOOL



**CHAIR SPECIFICATIONS:**

MAX. WIDTH.....19-3/8  
MAX. DEPTH.....23-1/8  
MAX. HEIGHT.....42-1/2

**SEAT SIZE:**

WIDTH.....17-3/4  
DEPTH.....18-1/4  
USABLE DEPTH.....17  
HEIGHT FROM FLOOR..30

**BACK SIZE:**

WIDTH.....17-1/2  
HEIGHT.....16-1/4  
HEIGHT FROM SEAT...16-1/4

**CONSTRUCTION:**

- Glide..... No glide available
- Frame..... Chrome 7/16" diameter steel wire.
- Seat..... 1/8" thick textured polymer.
- Back..... 1/8" thick textured polymer.
- Chair Weight..... 18 pounds per chair.
- Shipping Weight..... 24 pounds.
- Shipped..... Completely assembled.(Girth 130.25)
- Shipping Size..... 23-3/8" length X 20" width X 43-1/2" depth  
(11.8 cubic feet)
- Flammability Rating..... Furnished upon request by The HON Company Customer Service. Model 4047 meets the State of California Department of Consumer Affairs Technical Bulletin 117 requirements.

Issue Date.....06-25-01  
Part Number.....53-9265