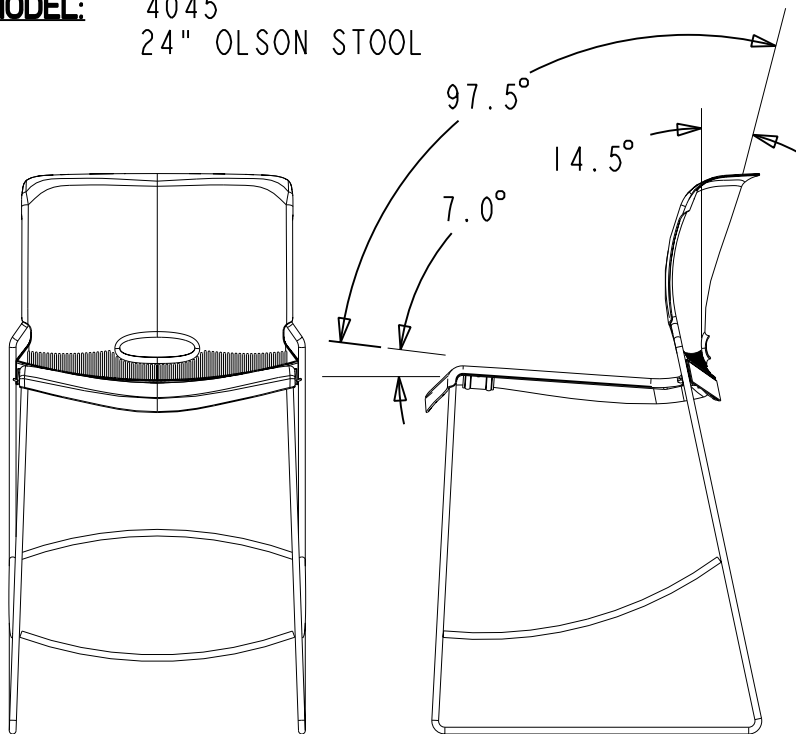


MODEL: 4045
24" OLSON STOOL



CHAIR SPECIFICATIONS:

MAX. WIDTH.....19-3/8
MAX. DEPTH.....21-1/2
MAX. HEIGHT.....36-1/2

SEAT SIZE:

WIDTH.....17 3/4
DEPTH.....18-1/4
USABLE DEPTH.....17
HEIGHT FROM FLOOR..24

BACK SIZE:

WIDTH.....17 1/2
HEIGHT.....16 1/4
HEIGHT FROM SEAT...16-1/4

CONSTRUCTION:

Glide..... No glides available
Frame..... Chrome 7/16" diameter steel wire.
Seat..... 1/8" thick textured polymer.
Back..... 1/8" thick textured polymer.
Chair Weight..... 17 pounds per chair.
Shipping Weight..... 23 pounds.
Shipped..... Completely assembled. (UPS shippable, Girth 121.5)
Shipping Size..... 22" length X 20" width X 37-1/2" depth
(9.55 cubic feet)
Flammability Rating..... Furnished upon request by The HON Company Customer Service. Model 4045 meets the State of California Department of Consumer Affairs Technical Bulletin 117 requirements.

Issue Date..... 06-25-01
Part Number..... 53-9260

HON THE HON COMPANY

MODEL :

4045

PART NO

DWG
REV

TITLE

CHAIR SPECIFICATION

53-9260

-

Dwn 03-10-01
G.D.LANGE

Clk

App

SHEET 2 OF 2

⊖ (1084) (P.D.M. 2037 & REL. NO. 12-4264-4) 06-25-01 GL CZ



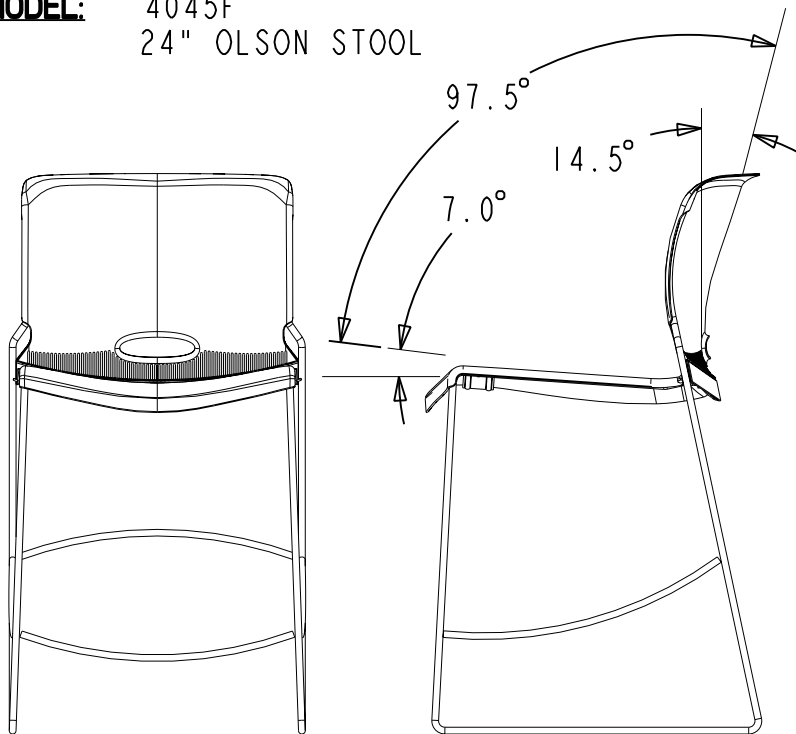
REVISION NOTES

**FOR VIEWING ONLY
DO NOT PRINT**

CADD

53-9260

MODEL: 4045F
24" OLSON STOOL



CHAIR SPECIFICATIONS:

MAX. WIDTH.....19-3/8
MAX. DEPTH.....21-1/2
MAX. HEIGHT.....36-1/2

SEAT SIZE:

WIDTH.....17 3/4
DEPTH.....18-1/4
USABLE DEPTH.....17
HEIGHT FROM FLOOR..24

BACK SIZE:

WIDTH.....17 1/2
HEIGHT.....16 1/4
HEIGHT FROM SEAT...16-1/4

CONSTRUCTION:

Glide..... No glides available
Frame..... Chrome 7/16" diameter steel wire.
Seat..... 1/8" thick textured polymer.
Back..... 1/8" thick textured polymer.
Chair Weight..... 17 pounds per chair.
Shipping Weight..... 23 pounds.
Shipped..... Completely assembled. (UPS Shippable, Girth 121.5)
Shipping Size..... 22" length X 20" width X 37-1/2" depth
(9.55 cubic feet)
Flammability Rating..... Furnished upon request by The HON Company Customer Service. Model 4045F meets the State of California Department of Consumer Affairs Technical Bulletin 133 requirements.

Issue Date..... 06-25-01
Part Number..... 53-9260FC

| | | | | | | | | | |
|----------------------------|--|---------------------------|--|-------|--|-----------|--|--------------|--|
| HON THE HON COMPANY | | MODEL: | | 4045F | | PART NO | | DWG REV | |
| TITLE | | CHAIR SPECIFICATION | | | | 53-9260FC | | - | |
| | | Dwn 03-10-01 G.D.LANGE | | Ckd | | App | | SHEET 2 OF 2 | |

⊖ (1084) (P.D.M. 2037 & REL. NO. 12-4264-4) 06-25-01 GL CZ



REVISION NOTES

**FOR VIEWING ONLY
DO NOT PRINT**

CADD

53-9260FC