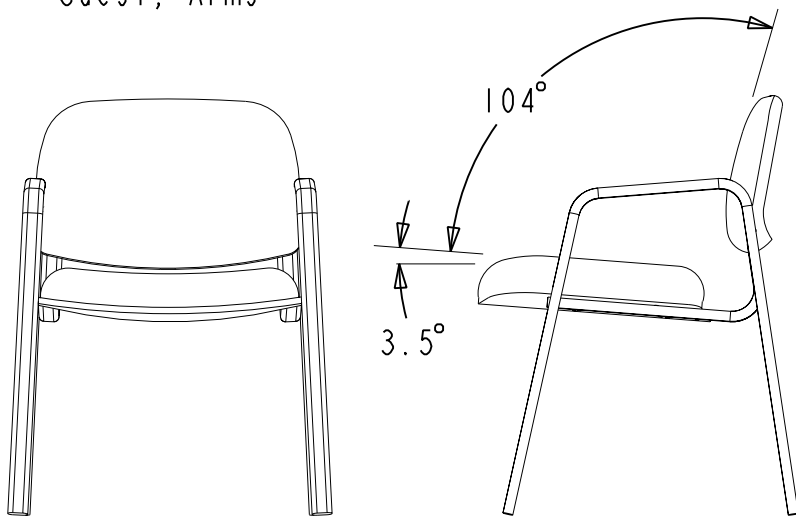


MODEL: 4003, KC4003

Guest, Arms



CHAIR SPECIFICATIONS

Max. Width..... 23-1/2
 Max. Depth..... 24-1/2
 Max. Height..... 32

SEAT SIZE

Width..... 20
 Depth..... 18
 Usable Depth..... 18-1/4
 Height from Floor..... 19-1/4

BACK SIZE

Width..... 21
 Height..... 14
 Height from Seat..... 15

ARM SIZE

Width..... 1-3/4
 Distance between arms.. 18-3/4
 Height from floor..... 24-3/4
 Height from seat..... 5-3/4

CONSTRUCTION

- Glide..... Monochromatic plastic.
- Frame..... Monochromatic 1-1/2" x 3/4" oval 16 gauge steel tubing.
- Seat..... 1/2" thick 5-ply curved plywood, 3" thick urethane foam cushion
- Back..... 1/2" thick, 5-ply curved plywood, 3" thick urethane foam cushion.
- Arm..... Monochromatic, 1-1/2" x 3/4" oval steel with plastic arm pad
- Upholstery..... See List Pricer, COM required yardage per SKU= 1 yard
- Chair Weight.....21 pounds.
- Shipping Weight..... 28-1/2 pounds.
- Shipped..... Completely assembled.
- Shipping Size..... 25-7/8" wide x 24-3/8" deep x 33" high (12 cubic feet).
- Flammability Rating..... Furnished upon request by The HON Company Geneva Seating Plant Manager
- Note..... All measurements are per ANSI/BIFMA procedures.

Issue Date: 11-07-97
Part Number: 53-8638