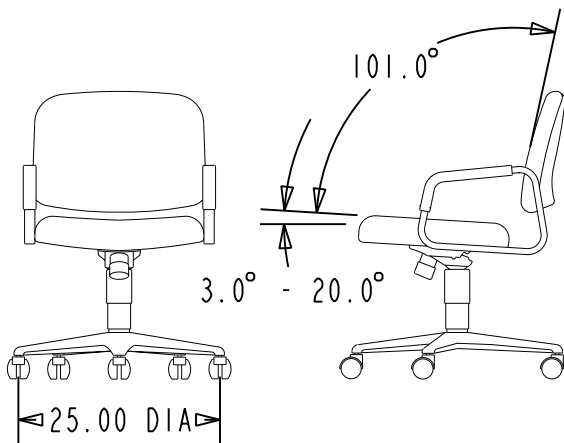


MODEL: **4002**

Executive High-Back,  
Swivel tilt, Tilt lock,  
Tilt Tension, Pneumatic, Arms



CHAIR SPECIFICATIONS

Max. Width.....	26
Max. Depth.....	26-1/4
Max. Height.....	35-1/2
<u>Seat Size</u>	
Width.....	20
Depth.....	18
Usable Depth.....	17-3/4
Height from Floor....	16-3/4 - 21-3/4
<u>Back Size</u>	
Width.....	21
Height.....	14
Height from Seat.....	16-1/4
<u>Arm Size</u>	
Width.....	1-3/4
Distance Between Arms	18-3/4
Height from floor....	23-1/2 - 28-1/2
Height from Seat.....	6-1/2

CONSTRUCTION

- Caster..... Monochromatic hooded 2" diameter dual wheel.
- Optional Caster..... See Dealer Net Pricer.
- Base..... 5 leg monochromatic, base arms are 16 gage formed steel with plastic base arm caps.
- Control..... Black heavy gage steel, swivel, tilt, tilt lock, 17-4 taper.
- Seat..... 1/2" thick, 5-ply curved plywood, 3" thick urethane foam cushion.
- Back..... 1/2" thick, 5-ply curved plywood, 3" thick urethane foam cushion.
- Arm..... Monochromatic 1-1/2" x 3/4" oval steel with plastic arm pad.
- Upholstery..... See Dealer Net Pricer. Customer own material (COM) required yardage per SKU = 1 yds.
- Chair Weight..... 31 pounds.
- Shipping Weight..... 38 pounds.
- Shipped..... Knock Down.
- Shipping Size..... 29-1/2" wide x 25-1/2" deep x 20" high (8.71 cubic feet)
- Flammability Rating..... Furnished upon request by THE HON Company Geneva Plant Manager.
- Special Features.... A pneumatic gas cylinder is used for seat height adjustment of chair.
- Note..... All measurements are per ANSI/BIFMA procedures.

Issue Date: 05/30/00  
 Part Number: 53-8637  
 Rev.: E