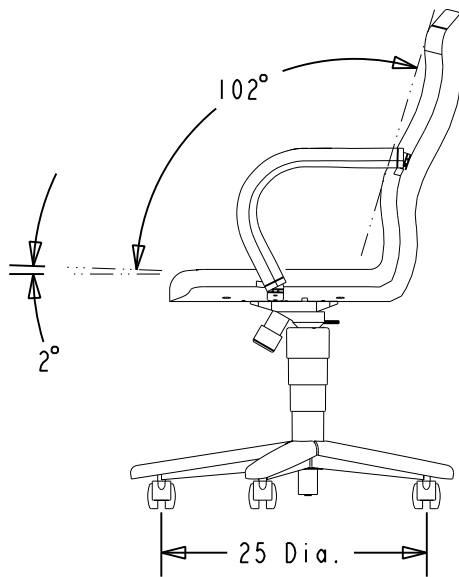


MODEL: 3302

Managerial Mid-Back,
Pneumatic, Swivel, Tilt,
Tilt Lock, Tilt Tension,
Arms



CHAIR SPECIFICATIONS

Max. Width.....	26
Max. Depth.....	28
Max. Height.....	43-3/4

SEAT SIZE

Width.....	22
Depth.....	19
Usable Depth.....	17-1/4
Height from Floor....	17 - 22

BACK SIZE

Width.....	22
Height.....	26
Height from Seat.....	23

ARM SIZE

Distance Between Arms	20-1/2
Height from Floor....	26-1/2 - 29-3/4
Height from Seat.....	7-3/4
Width.....	2-1/4



CONSTRUCTION

- Caster..... Monochromatic hooded 2" diameter dual wheel.
- Optional Caster..... See List Pricer.
- Base..... 5 leg monochromatic, base arms are 16 gauge formed steel with plastic base cap.
- Control..... Black heavy gauge steel, swivel, tilt, tilt lock, 17-4 taper.
- Seat..... 1/2" thick 5-ply plywood, 2-1/2" thick urethane foam cushion with 1-1/2" thick visco-elastic foam topper.
- Back..... 1/2" thick 5-ply plywood, 2" thick urethane foam cushion.
- Arm..... Monochromatic polyurethane, curved loop arm, steel inner structure
- Upholstery..... See List Pricer.
- Chair Weight..... 38 pounds.
- Shipping Weight..... 48 pounds.
- Shipped..... Completely assembled.
- Shipping Size..... 26" wide x 29-3/8" deep x 40-1/4" high (17.8 cubic feet).
- Flammability Rating..... Furnished upon request by THE HON COMPANY CUSTOMER SERVICE .
- Special Features.... A pneumatic gas cylinder is used for seat height adjustment of chair.
- Note..... All measurements are per ANSI/BIFMA procedures.

Issue Date: 1-07-02
 Part Number: 53-4218
 Rev: A

HON THE HON COMPANY

MODEL :

3302

PART NO

DWG
REV

TITLE
CHAIR SPECIFICATION

53-4218

A

Dwn

JDK
2-12-99

Clrd

App

2-12-99
LS

Sheet 2 of 2

Ⓐ 26 1/2 WAS 24 3/4 (REL. NO. 12-4511) dm 1-07-02 CDZ ←

REVISION NOTES

**FOR VIEWING ONLY
DO NOT PRINT**

CADD

53-4218