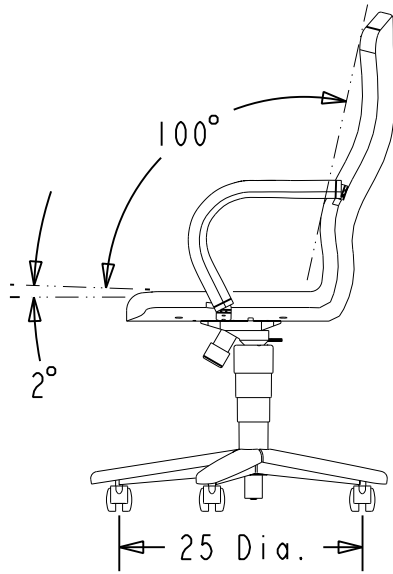


MODEL: 3301

Executive High-Back,
Pneumatic, Swivel, Tilt,
Tilt Lock, Tilt Tension,
Arms



CHAIR SPECIFICATIONS

Max. Width..... 26
 Max. Depth..... 28
 Max. Height..... 48-3/4

SEAT SIZE

Width..... 22
 Depth..... 19
 Usable Depth..... 17-1/4
 Height from Floor.... 17 - 22

BACK SIZE

Width..... 22
 Height..... 31
 Height from Seat.... 28

ARM SIZE

Distance Between Arms 20-1/2
 Height from Floor.... 26-1/2 - 29-3/4
 Height from Seat.... 7-3/4
 Width..... 2-1/4



CONSTRUCTION

- Caster..... Monochromatic hooded 2" diameter dual wheel.
- Optional Caster..... See List Pricer.
- Base..... 5 leg monochromatic, base arms are 16 gauge formed steel with plastic base cap.
- Control..... Black heavy gauge steel, swivel, tilt, tilt lock, 17-4 taper.
- Seat..... 1/2" thick 5-ply plywood, 2-1/2" thick urethane foam cushion with 1-1/2" thick visco-elastic foam topper.
- Back..... 1/2" thick 5-ply plywood, 2" thick urethane foam cushion.
- Arm..... Monochromatic polyurethane, curved loop arm, steel inner structure
- Upholstery..... See List Pricer.
- Chair Weight..... 41 pounds.
- Shipping Weight..... 51 pounds.
- Shipped..... Completely assembled.
- Shipping Size..... 25-1/2" wide x 28-1/2" deep x 45-1/2" high (19.2 cubic feet).
- Flammability Rating..... Furnished upon request by THE HON COMPANY CUSTOMER SERVICE .
- Special Features.... A pneumatic gas cylinder is used for seat height adjustment of chair.
- Note..... All measurements are per ANSI/BIFMA procedures.

Issue Date: 1-07-02
 Part Number: 53-4217
 Rev: A

HON THE HON COMPANY

MODEL :

3301

PART NO

DWG
REV

TITLE

CHAIR SPECIFICATION

53-4217

A

Sheet 2 of 2

Dwn

JDK
2-12-99

Clk

App

2-12-99
LS

Ⓐ 26 1/2 WAS 24 3/4 (REL. NO. 01-07-02
12-4511) DM CDZ ←

REVISION NOTES

**FOR VIEWING ONLY
DO NOT PRINT**

CADD

53-4217