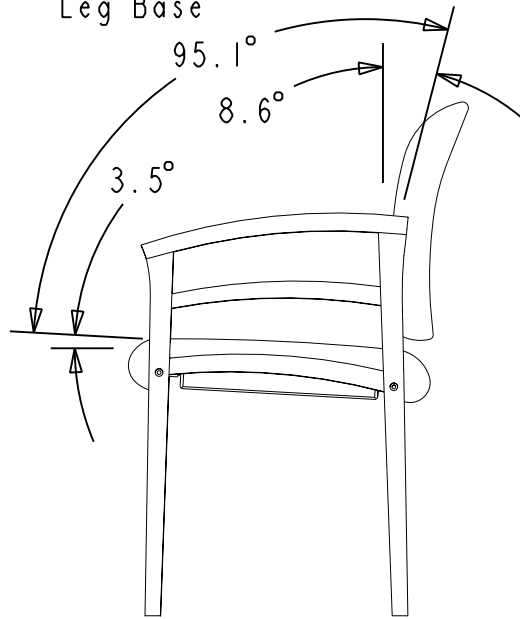


MODEL: 2112

Executive Guest,
Leg Base



CHAIR SPECIFICATIONS

Max. Width.....	23-1/2"
Max. Depth.....	22"
Max. Height.....	33-1/8"
<u>Seat Size</u>	
Width.....	20"
Usable Depth.....	17"
Height from Floor....	18-1/2"
<u>Back Size</u>	
Width.....	21"
Height from Seat.....	16"
<u>Arm Size</u>	
Width.....	1-1/2"
Distance Between	
Arms.....	19-1/4"
Height from Seat.....	8"
Height from Floor...	25-3/4"

CONSTRUCTION

Seat..... 2 1/2" thick foam cushion on blowmolded HDPE seat support.

Back..... 1 1/2" thick foam cushion on 1/2" plywood back panel.

Frame..... 1 1/2" thick hard maple.

Upholstery..... See list pricer.

C.O.M..... 2 yds.

Chair Weight..... 22.5 pounds.

Shipping Weight..... 27.5 pounds.

Shipped..... Completely assembled.

Shipping Size..... 27 1/2" long x 26 1/2" wide x 35 1/2" deep.
(14.97 cubic feet).

Flammability Rating.

FURNISHED UPON REQUEST BY THE HON COMPANY CUSTOMER SERVICE.
Model 2112 meets the state oc California Department
of consumer affairs technical bulletin 117 requirements.

Issue Date: 09/15/00
Part Number: 53-9123

HON THE HON COMPANY

MODEL :

2112

PART NO

DWG
REV

TITLE

CHAIR SPECIFICATION

53-9123

-

Dwn 09/11/00
SH

Clk

App 09/15/00
TN

SHEET 2 OF 2

⊖ (P.D.M. & REL. NO.) 09/15/00
1971 & 12-3945-4 SH TN ←

REVISION NOTES

**FOR VIEWING ONLY
DO NOT PRINT**

CADD

53-9123