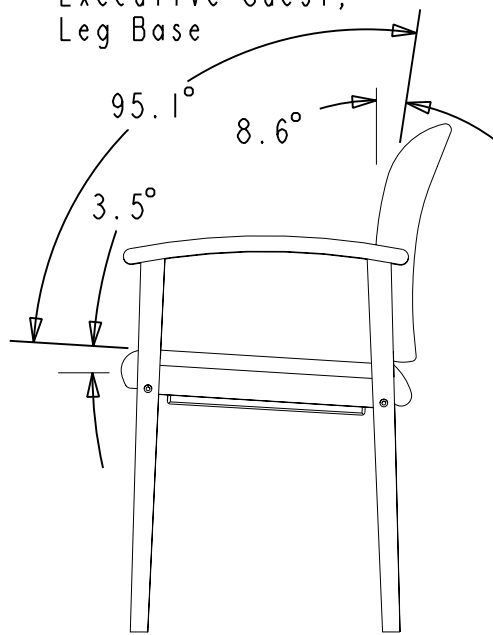


**MODEL: 2111**

Executive Guest,  
Leg Base



**CHAIR SPECIFICATIONS**

Max. Width.....	23-1/2"
Max. Depth.....	22"
Max. Height.....	33-1/8"
<u>Seat Size</u>	
Width.....	20"
Usable Depth.....	17"
Height from Floor....	18-1/2"
<u>Back Size</u>	
Width.....	21"
Height from Seat.....	16"
<u>Arm Size</u>	
Width.....	2-1/4"
Distance Between	
Arms.....	19"
Height from Seat.....	8"
Height from Floor...	25-3/4"

**CONSTRUCTION**

Seat..... 2 1/2" thick foam cushion on blowmolded HDPE seat support.

Back..... 1 1/2" thick foam cushion on 1/2" plywood back panel.

Frame..... 1 1/8" thick hard maple.

Upholstery..... See list pricer.

C.O.M..... 2 yds.

Chair Weight..... 19.0 pounds.

Shipping Weight..... 24.0 pounds.

Shipped..... Completely assembled.

Shipping Size..... 27 1/2" long x 26 1/2" wide x 35 1/2" deep.  
(14.97 cubic feet).

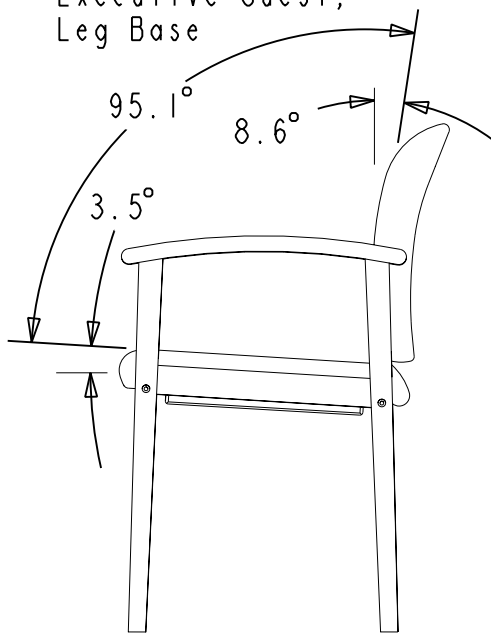
Flammability Rating.....

FURNISHED UPON REQUEST BY THE HON COMPANY CUSTOMER SERVICE.  
Model 2111 meets the state of California Department  
of consumer affairs technical bulletin 117 requirements.

**Issue Date:** 09/15/00  
**Part Number:** 53-9122

**MODEL: 2111FC**

Executive Guest,  
Leg Base



**CHAIR SPECIFICATIONS**

Max. Width.....	23-1/2"
Max. Depth.....	22"
Max. Height.....	33-1/8"
<u>Seat Size</u>	
Width.....	20"
Usable Depth.....	17"
Height from Floor....	18-1/2"
<u>Back Size</u>	
Width.....	21"
Height from Seat.....	16"
<u>Arm Size</u>	
Width.....	2-1/4"
Distance Between	
Arms.....	19"
Height from Seat.....	8"
Height from Floor...	25-3/4"

**CONSTRUCTION**

Seat..... 2 1/2" thick FC foam cushion on blowmolded HDPE seat support.

Back..... 1 1/2" thick FC foam cushion on 1/2" plywood back panel.

Frame..... 1 1/8" thick hard maple.

Upholstery..... See list pricer.

C.O.M..... 2 yds.

Chair Weight..... 19.0 pounds.

Shipping Weight..... 24.0 pounds.

Shipped..... Completely assembled.

Shipping Size..... 27 1/2" long x 26 1/2" wide x 35 1/2" deep.  
(14.97 cubic feet).

Flammability Rating.....

FURNISHED UPON REQUEST BY THE HON COMPANY CUSTOMER SERVICE.  
Model 2111FC meets the state of California Department  
of consumer affairs technical bulletin 133 requirements.

Issue Date: 09/15/00  
Part Number: 53-9122FC

**HON** THE HON COMPANY

MODEL:

**2111FC**

PART NO

DWG  
REV

TITLE  
**CHAIR SPECIFICATION**

**53-9122FC**

-

Dwn 09/11/00  
SH

Ckd

App 09/15/00  
TN

SHEET 2 OF 2

⊖ ( P.D.M. & REL. NO. ) 09/15/00  
1971 & 12-3945-4 SH TN ←

REVISION NOTES

**FOR VIEWING ONLY  
DO NOT PRINT**

CADD

**53-9122FC**

**HON** THE HON COMPANY

MODEL :

**2111**

PART NO

DWG  
REV

TITLE  
**CHAIR SPECIFICATION**

**53-9122**

-

Dwn 09/11/00  
SH

Clrd

App 09/15/00  
TN

SHEET 2 OF 2

⊖ ( P.D.M. & REL. NO. ) 09/15/00  
1971 & 12-3945-4 SH TN ←

REVISION NOTES

**FOR VIEWING ONLY  
DO NOT PRINT**

CADD

**53-9122**