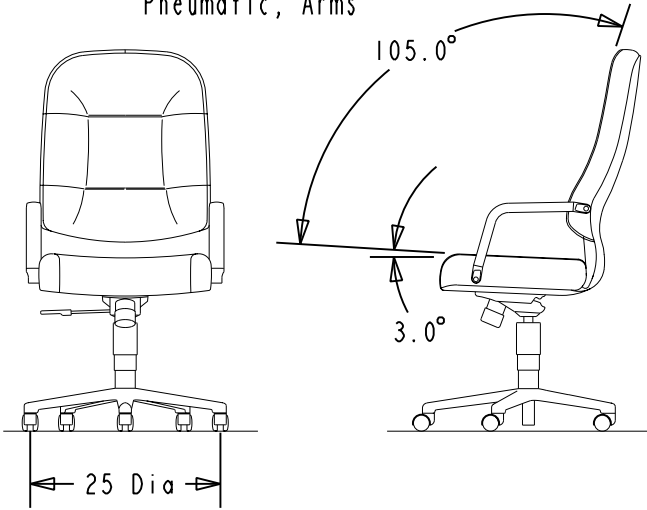


MODEL: 2091

Executive, High-Back,
Swivel Tilt, Tilt Lock,
Pneumatic, Arms



CHAIR SPECIFICATIONS

Max. Width.....	26-1/4
Max. Depth.....	29-3/4
Max. Height.....	46-1/2
<u>Seat Size</u>	
Width.....	22
Depth.....	21
Usable Depth.....	18-1/2
Height from Floor....	16-3/4 - 21-1/4
<u>Back Size</u>	
Width.....	22
Height.....	23-1/2
Height from Seat.....	25
<u>Arm Size</u>	
Width.....	2-1/4
Distance Between	
Arms.....	20-1/4
Height from Seat.....	7-1/4

CONSTRUCTION

- Caster..... Hooded 2" diameter dual wheel.
- Base..... 5 leg black base arms are 16 gauge formed steel with black plastic base cap.
- Control..... Black heavy gauge steel, swivel tilt, tilt-lock, 17-4 taper.
- Seat..... 5/8" thick, 7-ply curved plywood, 3-1/2" thick urethane foam cushion with 1-1/8" thick visco-elastic foam topper.
- Back..... 5/8" thick, 7-ply curved plywood, 3-1/2" thick shaped urethane foam cushion with 2" thick polyester fiber topper.
- Arm..... Steel with urethane padded arms.
- Upholstery..... See List Pricer.
- Chair Weight..... 42 pounds.
- Shipping Weight..... 54 pounds.
- Shipped..... Two piece assembly.
- Shipping Size..... 40-1/2" wide x 26" deep x 20" high (11.3 cubic feet).
- Flammability Rating..... Furnished upon request by The HON Company Customer Service.
- Special Features.... A pneumatic gas cylinder is used for seat height adjustment of chair.
- Note..... All measurements are per ANSI/BIFMA procedures.

Issue Date: 01-25-00
Part Number: 53-4288