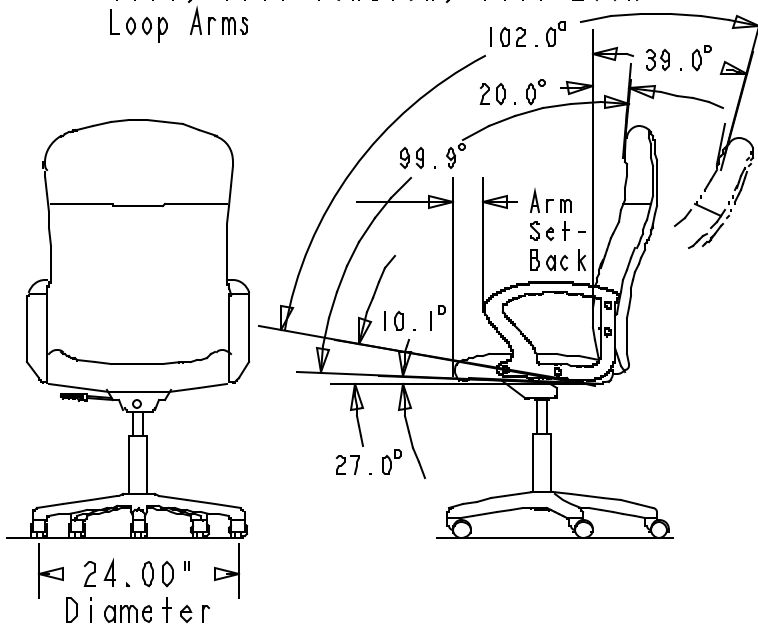


MODEL: 2072

Mld-Back, Pneumatic, Swivel  
Tilt, Tilt Tension, Tilt Lock  
Loop Arms



**CHAIR SPECIFICATIONS**

Max. Width..... 27-1/2  
Max. Depth..... 36-1/4  
Max Height..... 43-5/8

**Seat Size**

Width..... 20-1/4  
Usable Depth..... 16-5/8  
Height from Floor..... 18-7/8 - 23-7/8

**Back Size**

Width..... 20-3/4  
Height from seat..... 25-1/4

**Back Lumbar**

Lumbar from seat ..... 8-1/8

**Arm Size**

Distance Between Arms... 20-3/4  
Height from floor..... 26 - 31-1/8  
Height from Seat..... 9-7/8  
Width..... 3  
Length..... 7-7/8  
Arm Set-Back..... 4-1/2

**CONSTRUCTION**

- Caster..... Monochromatic hooded 2" diameter dual wheel.
- Base..... 5 leg injection molded plastic base.
- Control..... Black heavy gauge steel, swivel tilt, tilt lock, 17-4 taper.
- Seat ..... 1/2" thick, 5-ply curved plywood, 3-1/2" thick contour shaped foam.
- Back..... 1/2" thick, 5-ply curved plywood, 3" thick urethane foam cushion.
- Arm..... Plastic ,Loop Style
- Upholstery..... See Dealer Net Pricer. Customer own material (COM) required yardage per SKU = 2.0 yds.
- Chair Weight..... 33 pounds.
- Shipping Weight.... 43 pounds.
- Shipped..... knock down, tee-pee style.
- Shipping Size..... 27.00" wide x 36.25" deep x 19.25" high (10.9 cubic feet)  
UPS Shippable
- Flammability  
Rating..... Furnished upon request by THE HON Company Customer Service.
- Special  
Features..... A pneumatic gas cylinder is used for seating height adjustment of chair.

Note..... All measurements are per BIFMA/CMD procedures.

Issue Date: 03-07-05  
Part Number: 53-9244