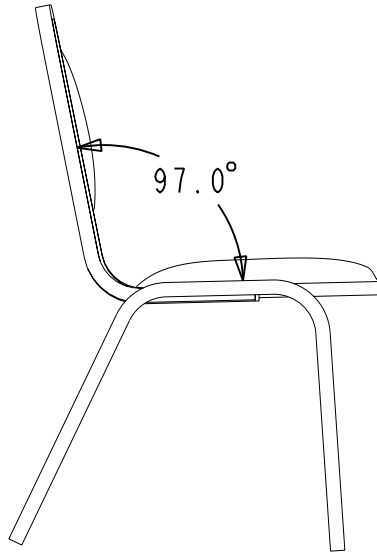


MODEL: 1081 1081T



CHAIR SPECIFICATIONS

Max. Width..... 17-7/8
Max. Depth..... 21-1/4
Max. Height..... 35

SEAT SIZE

Width..... 15-1/2
Depth..... 16
Usable Depth..... 16
Height from Floor..... 17-1/4

BACK SIZE

Width..... 13
Height..... 11-1/2
Height from Seat..... 13-1/4

STACK SIZE

Stacks on floor..... 8 HIGH
Stacks on optional cart.. 8 HIGH

CONSTRUCTION

Glide..... Natural Polyethlyene.
Frame..... Monochromatic or black powder coated 7/8" square 18 gauge steel.
Seat..... 7/16" plywood support, 1-1/2" thick urethane foam cushion.
Back..... 3/4" Particle board, 3/4" thick urethane foam
Chair Weight..... 15 pounds per chair.
Shipping Weight..... 67 pounds (4 pack).
Shipped..... Completely assembled, (4) per carton.
Shipping Size..... 46-1/2 length X 23-1/2 width X 18-1/2 depth.
(11-3/4 cubic feet.)
Flammability Rating... Furnished upon request by the HON Company Customer Service. Model 1081 meets the State of California Department of Consumer Affairs Technical Bulletin 117 requirements.

Issue Date: 4/6/01
Part Number: 53-9147

HON THE HON COMPANY		MODEL:		1081 1081T		PART NO	DWG REV
TITLE		9/27/99		9/27/99		53-9147	B
CHAIR SPECIFICATION		MAS		TJN			
		Dwn		App		Sheet 2 of 2	

①(1075) ADDED 1081T, OR BLACK POWDER COATED TO FRAME (P.D.M. & REL. NO. 4/6/01
DT605 & 12-4230 MAS CZ



REVISION NOTES

**FOR VIEWING ONLY
DO NOT PRINT**

CADD

53-9147