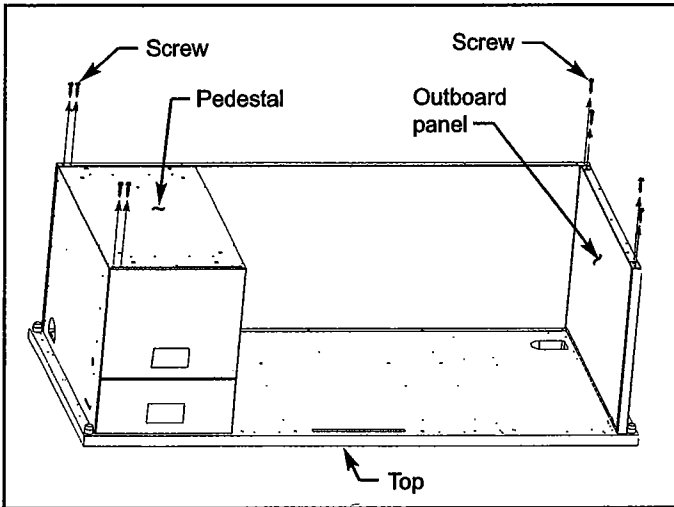


DESK AND RETURN

INSTALLATION INSTRUCTIONS

Illustration 1



Read all instructions and review illustrations before installing.

Tools required for assembly:
 1/4" hex head screwdriver

Level

WARNING

Lifting a drawer using drawer follower or hangrails can cause the drawer follower or hangrails to come loose. The drawer can fall and cause serious injury to you or others. Lift drawer by a fixed part of the drawer.

Sharp edges may cause injury. Take care when handling metal parts.

Preparing Desk for Leg Installation:

1. With drawers locked, use two or more people to place desk upside down on cardboard or a carpeted surface (this is to prevent the top from being scratched).
2. Refer to Illustration 1. Locate leg bracket screws attached to bottom of pedestal and outboard panel. Use the straight blade or 1/4" hex head screwdriver to remove screws. Save screws for later use.
3. Remove legs from packing.

Attaching Legs to Desk Pedestal(s) (refer to Illustration 2).

1. With leg slots facing center of desk, insert a leg over a leg locator on the bottom corners of desk top.
2. Insert long leg brackets (from hardware pack) into leg slots as shown in Illustration 1.
3. Align holes in leg bracket with holes in pedestal to ensure leg is straight up and down. If leg is not straight, remove leg bracket and insert it with prongs facing the opposite direction (up or down).
4. Use the 1/4" hex head screwdriver to reinstall screws, removed in **Preparing Desk for Leg Installation: Step 2**, securing leg bracket to pedestal.

Illustration 2

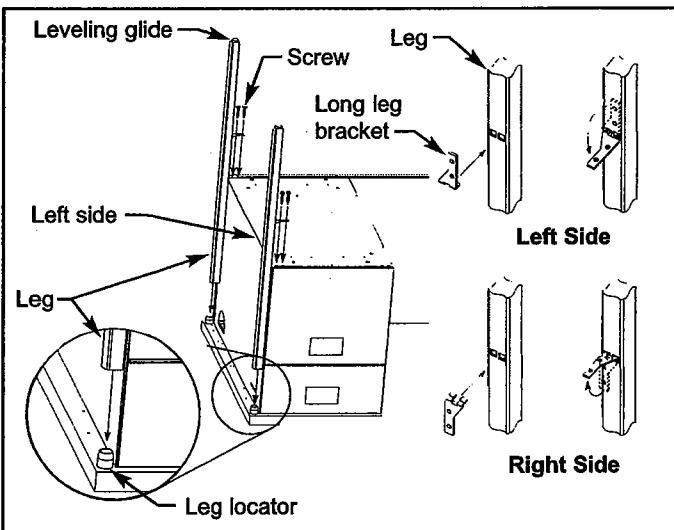
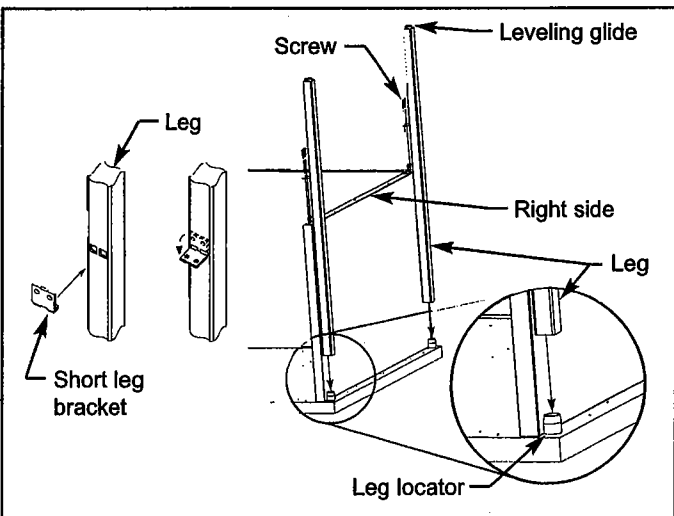


Illustration 3



Attaching Legs to Outboard Panel (refer to Illustration 3).

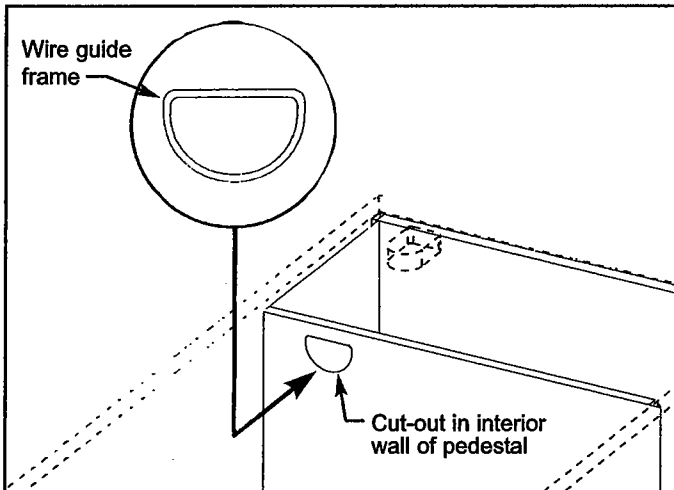
1. With leg slots facing center of desk, insert a leg over a leg locator on the bottom corners of desk top.
2. Insert short leg brackets (from hardware pack) into leg slots as shown in Illustration 1.
3. Align holes in leg bracket with holes in outboard panel.
4. Use the 1/4" hex head screwdriver to reinstall screws, removed in **Preparing Desk for Leg Installation: Step 2**, securing leg bracket to pedestal.

Completing Desk Installation:

1. Use two or more people to set desk upright.
2. Position desk where it will be used and adjust leveling glides to level desk front-to-back and side-to-side.

DESK AND RETURN

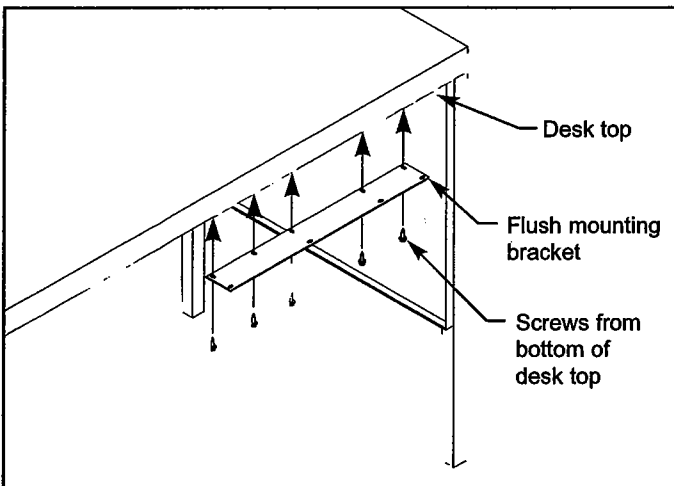
Illustration 4



Wire Guide Frame Installation (refer to Illustration 4):

1. Locate cut-outs on the pedestal(s).
2. Install a wire guide frame onto cut-out in interior wall (kneespace) of pedestal(s).

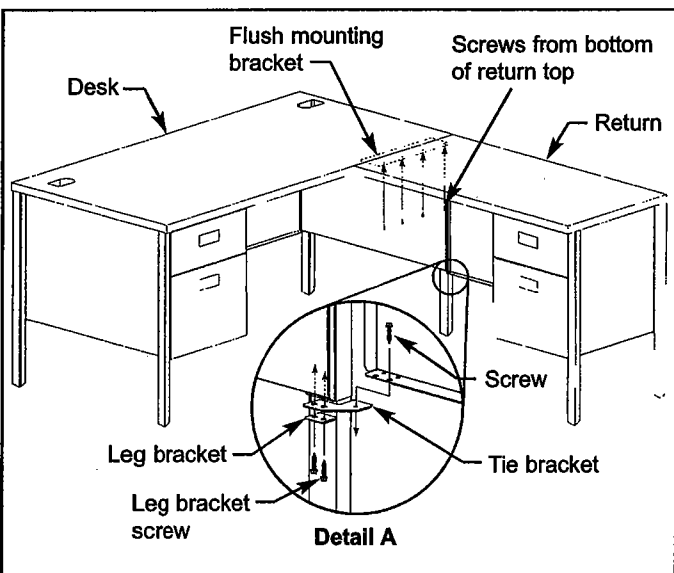
Illustration 5



Flush Return Installation:

1. Use two or more people to position desk where it will be used and adjust leveling glides to level desk front-to-back and side-to-side.
2. Use the 1/4" hex head screwdriver to remove screws and flush mounting bracket from bottom of return unit. Save screws and mounting bracket for later use.
3. Use the 1/4" hex head screwdriver to remove five screws along front bottom edge of desk top, next to outboard panel. Save screws for later use.
4. Refer to Illustration 5. Install mounting bracket, removed from return unit, onto the bottom of desk top as shown (note hole pattern). Use the 1/4" hex head screwdriver to reinstall screws, removed from bottom of desk top, and tighten securely.

Illustration 6



5. Refer to Illustration 6. Use the 1/4" hex head screwdriver to remove screws from desk outboard panel front leg bracket. Align holes in tie bracket with holes in leg bracket and reinstall screws (Detail "A", Illustration 6). Tighten screws securely.
6. With return in the upright position, rest top of return onto flush mounting bracket attached to desk. Align rear edge of return top with side edge of desk top. Use the 1/4" hex head screwdriver to reinstall screws removed from return but do not fully tighten screws.
7. Refer to Illustration 6. Use the 1/4" hex head screwdriver to install screw (from hardware pack) through hole in bottom edge of skirt and into tie bracket (Detail "A", Illustration 6). Do not fully tighten screw.
8. Adjust leveling glides to level return front-to-back and side-to-side and checking alignment of return and desk, use the 1/4" hex head screwdriver to fully tighten all screws.