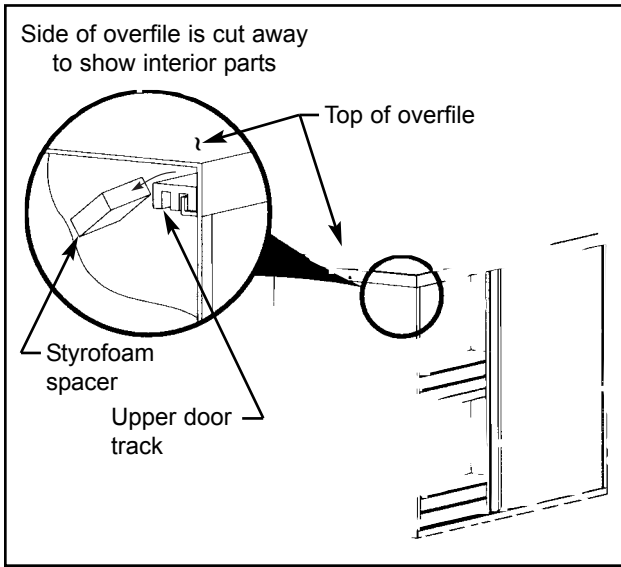


OVERFILE LOCK KIT

INSTALLATION INSTRUCTIONS

Illustration 1



Read all instructions and review illustrations before installing.

Tools required for assembly:
None

This assembly includes:

- | | |
|---------------------|---------------|
| (1) Ratchet bracket | (1) Lock clip |
| (1) Ratchet lock | (2) Keys |

WARNING

Sharp edges may cause injury. Take care when handling metal parts.

Installation:

1. Refer to Illustration 1. Slide doors to the right and locate upper door track, just above doors, inside of overfile. Remove styrofoam spacers inside space between upper door track and top of overfile. Save spacers for later use.
2. Refer to Illustration 2. To remove overfile right-hand door, hold sides of door firmly with both hands and lift door straight up. Pivot bottom of door away from overfile. Pull door down and away from overfile. Set right-hand door aside.
3. Refer to Illustration 3. With teeth facing down and thumb screw facing rear of cabinet, install ratchet bracket onto left-hand door. Tighten thumb screw to secure ratchet bracket to left-hand door.
4. Reinstall right-hand door and styrofoam spacers.
5. Refer to Illustration 4. With flat side facing away from cabinet, slide lock clip onto ratchet bracket until lock clip hooks over right-hand door.
6. Refer to Illustration 4. With flat edge facing right-hand door, slide ratchet lock onto ratchet bracket until lock is flat against lock clip.

Illustration 2

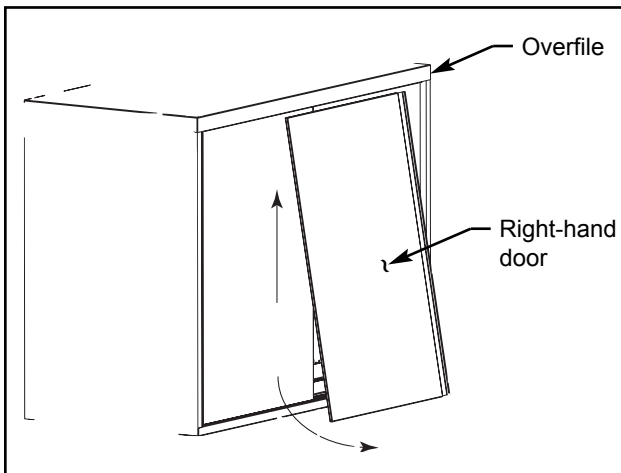


Illustration 3

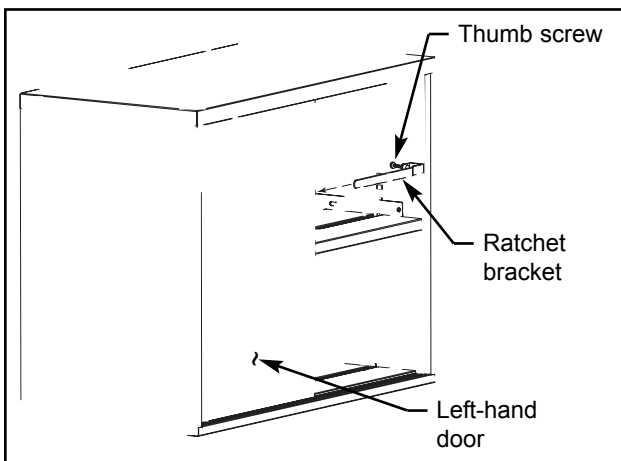


Illustration 4

