

# MODEL 92734 STACK-ON UNIT

# INSTALLATION INSTRUCTIONS

Illustration 1

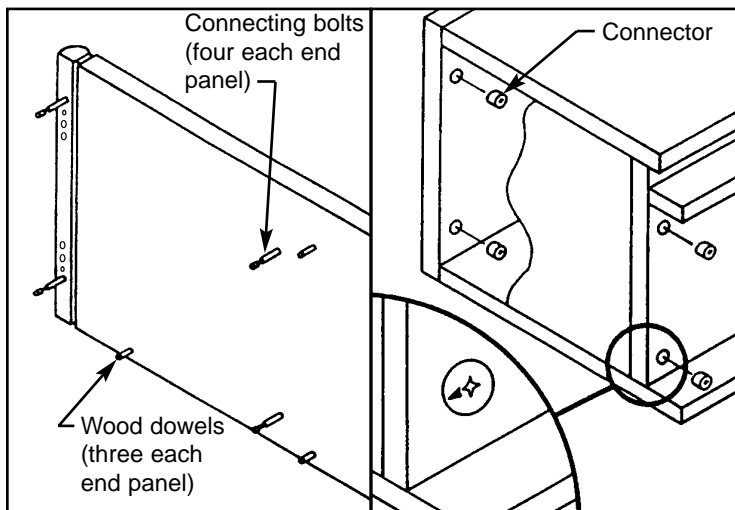


Illustration 2

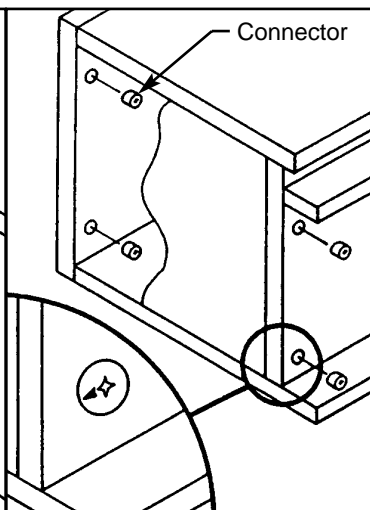


Illustration 3

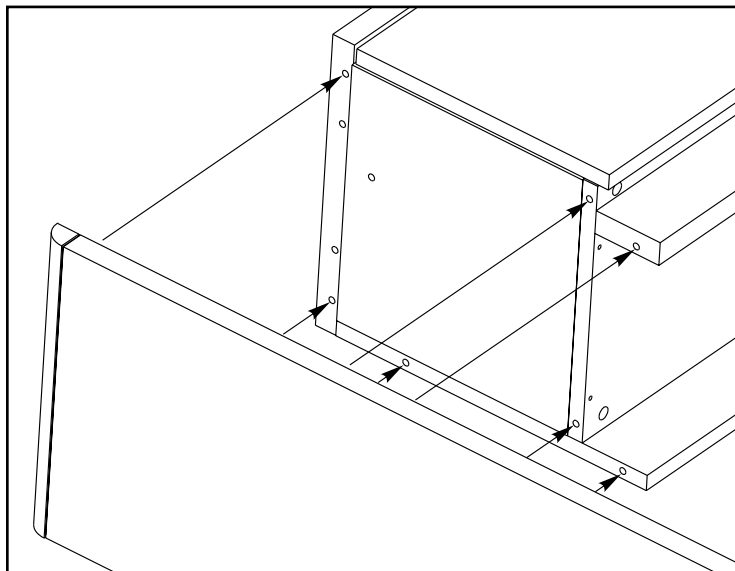
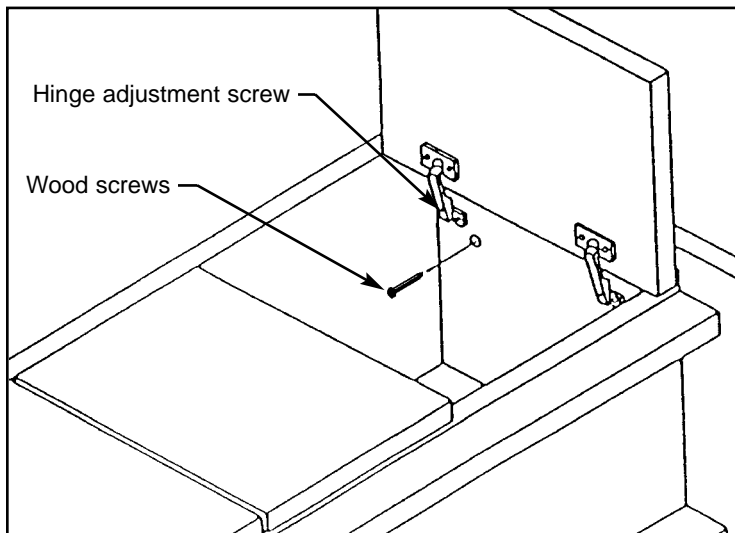


Illustration 4



Read all instructions and review illustrations before installing.

Tools required for assembly:  
Phillips screwdriver      Rubber mallet  
Tape measure              Masking tape  
4mm Allen wrench (supplied)

Assembly hardware pack includes:  
(8) Connector              (6) Wood dowel  
(8) Connecting bolt      (2) Wood screw  
(1) 4mm Allen wrench    (8) Connector cover

## ⚠ WARNING

Wood products are heavier than they appear and may be hard to control when moving. Use two or more people when moving wood products or severe personal injury may result.

## IMPORTANT

Hardware pack is taped underneath stack-on unit. Be sure to locate hardware pack before discarding any packaging materials.

### Assembly:

1. Refer to Illustration 1. Insert connecting bolts, four each end panel, and slowly tighten. Do not over-tighten.
2. Refer to Illustration 1. Insert wood dowels, three each end panel. Tap lightly with a rubber mallet to fully seat them.
3. Refer to Illustration 2. Insert connectors into their respective holes. The arrow on the connector should point toward the outer edge of storage unit.
4. Refer to Illustration 3. Assemble an end panel to storage unit by aligning connecting bolts and dowels with their respective holes and push together. Tap lightly with a rubber mallet.
5. Turn connectors clockwise approximately  $\frac{1}{2}$  turn to secure. Do not over-tighten. Install connector covers. Repeat Steps 4 and 5 for remaining end panel.
6. Refer to Illustration 4. Open doors and install a wood screw at each end of storage unit.
7. If required, the gap between doors can be adjusted by turning the hinge adjustment screws located inside storage unit.
8. Snap cover caps over exposed connectors.

# MODEL 92734 STACK-ON UNIT

Illustration 5

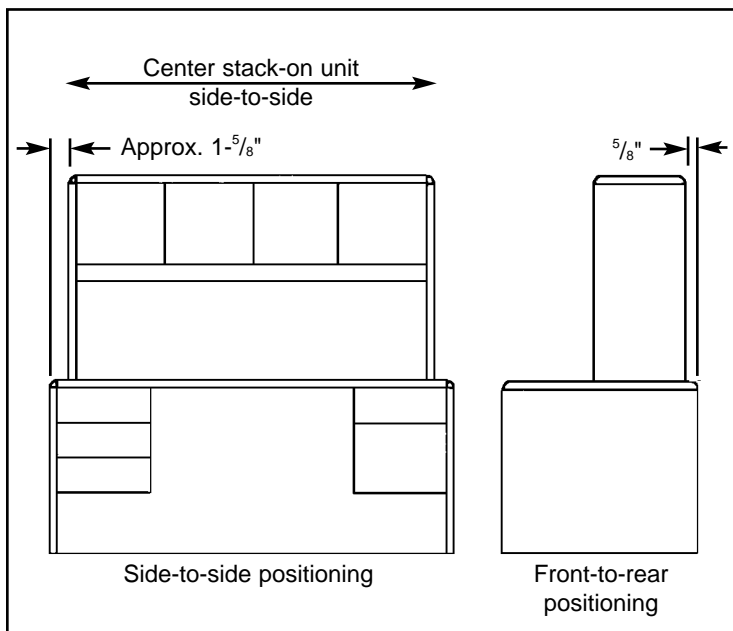
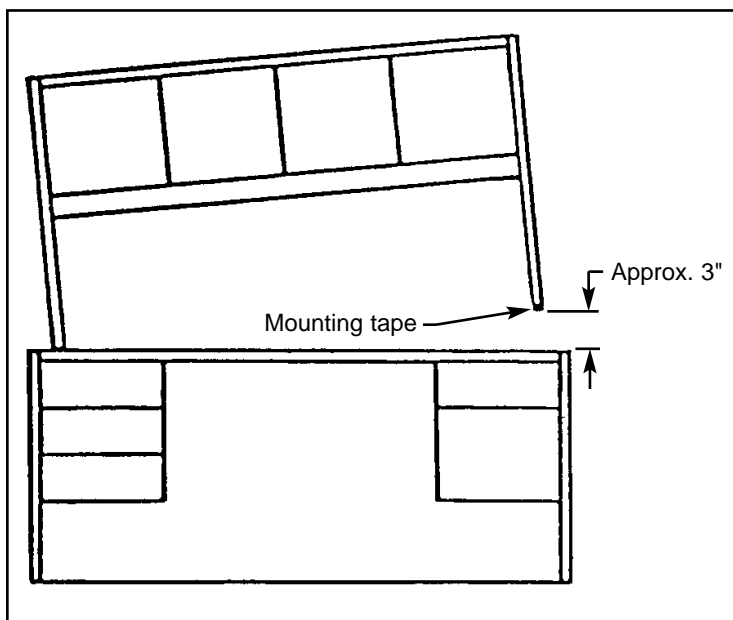


Illustration 6



## Installation:

### IMPORTANT

Install this stack-on unit on top of a 72" wide credenza or desk.

Ensure all assembly requirements from side 1 have been properly completed. Read all of the following instructions before proceeding. Mounting surface of credenza or desk must be clean and free of any wax or oil residue.

Do not remove protective cover on mounting tape until Step 4.

1. Refer to Illustration 5. Use two people to position stack-on unit onto desk/credenza. Unit should be in 5/8" at rear and be centered from side-to-side approximately 1-5/8" from each edge. **DO NOT remove protective cover from mounting tape on bottom edge of end panels.**
2. After aligning stack-on unit, place masking tape on top of credenza/desk to mark its position.

### IMPORTANT

Mounting tape used to secure stack-on unit is extremely sensitive and is designed to be used as a permanent installation. Attempting to remove stack-on unit will cause severe damage to surface of credenza/desk.

3. Refer to Illustration 6. Lift one end of stack-on unit up approximately 3". Be especially careful not to apply any pressure which may cause the opposite end of stack-on unit to slip off credenza/desk.
4. While unit is raised, remove protective cover from mounting tape. While maintaining alignment, carefully lower unit and realign end panel with masking tape.
5. Repeat this procedure for remaining end panel.
6. Remove masking tape from desk or credenza.

### ⚠ WARNING

Do not lean on, bump, or load storage shelf of this stack-on unit for a period of 12 hours minimum after the mounting tape has been in contact with credenza/desk. Do not use this unit without the mounting tape. Failure to follow this warning can cause unit to tip and fall, resulting in severe injury to yourself or others.